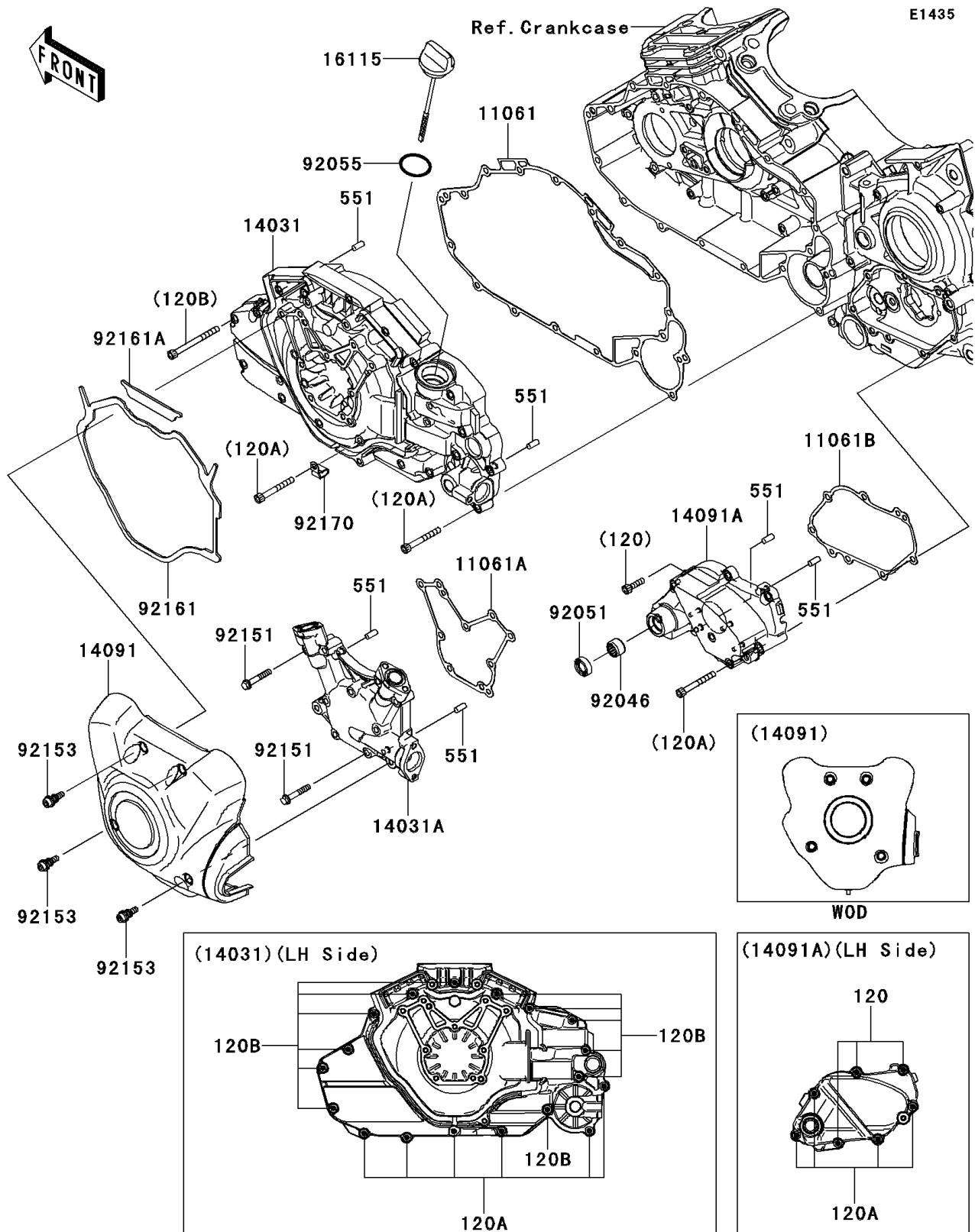


2009 Vulcan 1700 Voyager ABS (Canada Only)

PARTS DIAGRAM Left Engine Cover(s)



2009 Vulcan 1700 Voyager ABS (Canada Only)



PARTS LIST

Left Engine Cover(s)

ITEM NAME	PART NUMBER	QUANTITY
-----------	-------------	----------
