

# 2010 Vulcan® 1700 Voyager® ABS

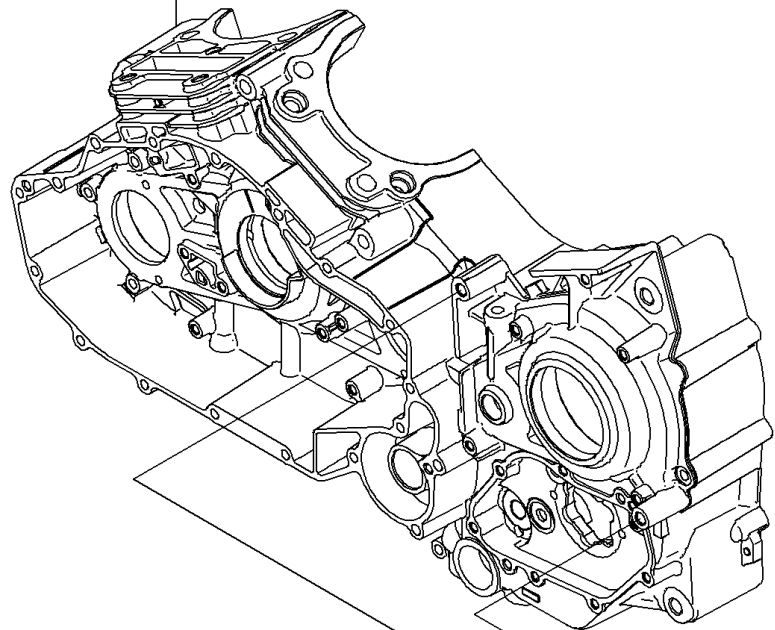
## PARTS DIAGRAM

### Chain Cover



Ref. Crankcase

E1433



Ref. Clutch

92043

14091

49048

120

53044

92043

14091A

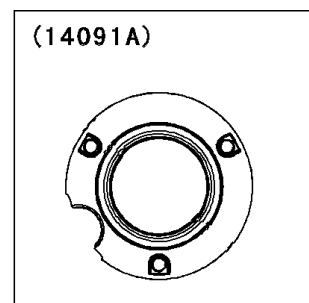
120A

92153

120A

120

92153



W0D

# 2010 Vulcan® 1700 Voyager® ABS

**Kawasaki**  
Let the Good Times Roll®

## PARTS LIST

### Chain Cover

ITEM NAME	PART NUMBER	QUANTITY
-----------	-------------	----------

---