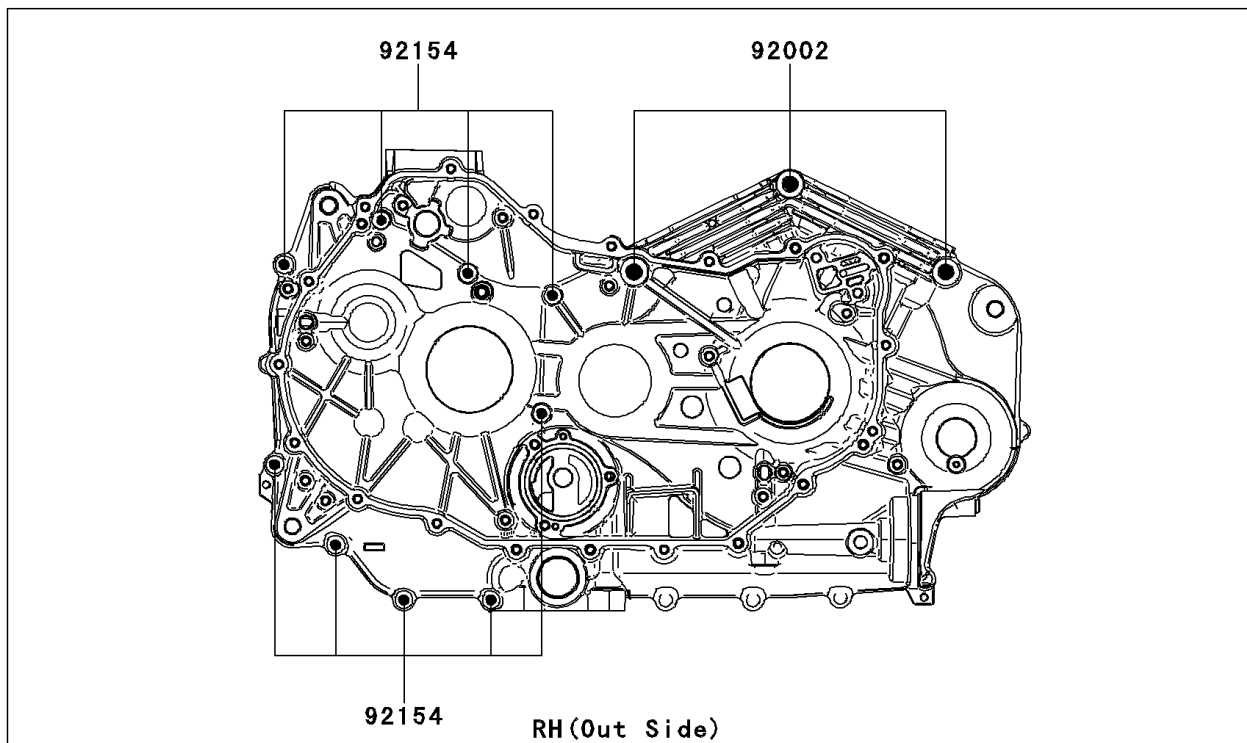
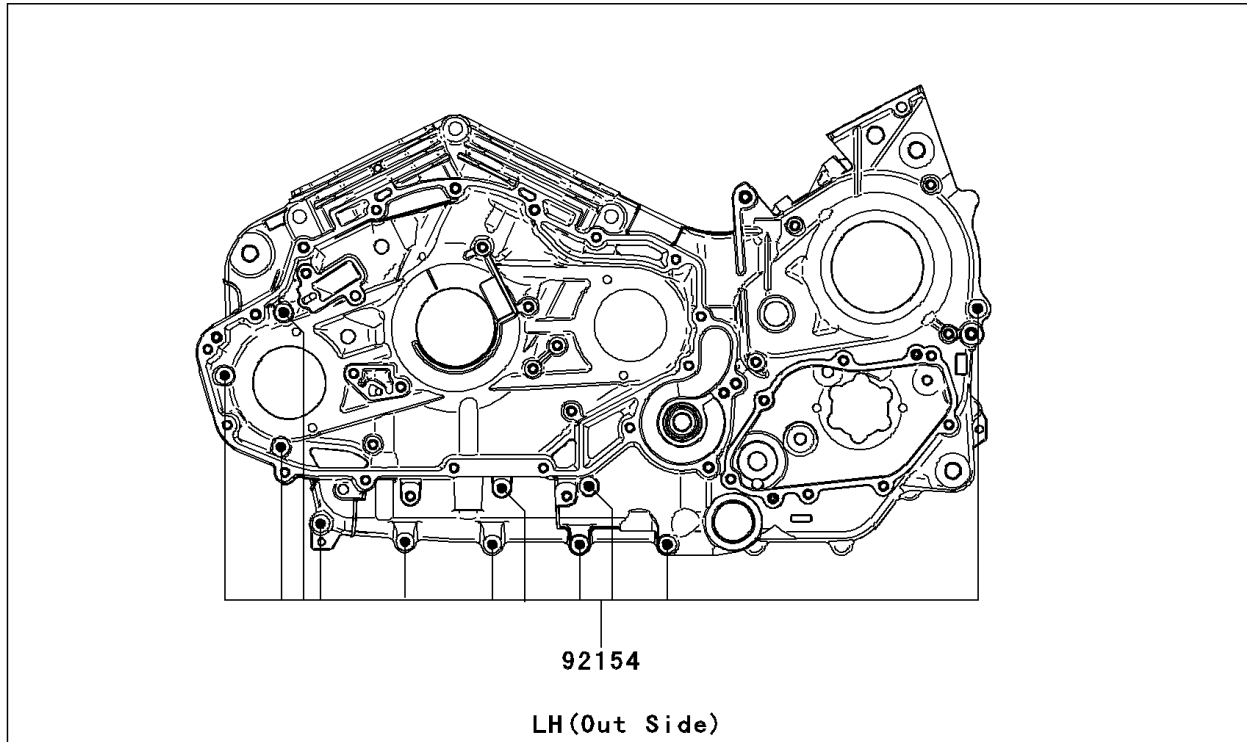


2012 VULCAN® 1700 VOYAGER® ABS

PARTS DIAGRAM

Crankcase Bolt Pattern

E1412



2012 VULCAN® 1700 VOYAGER® ABS

Kawasaki
Let the Good Times Roll®

PARTS LIST

Crankcase Bolt Pattern

ITEM NAME	PART NUMBER	QUANTITY
-----------	-------------	----------
