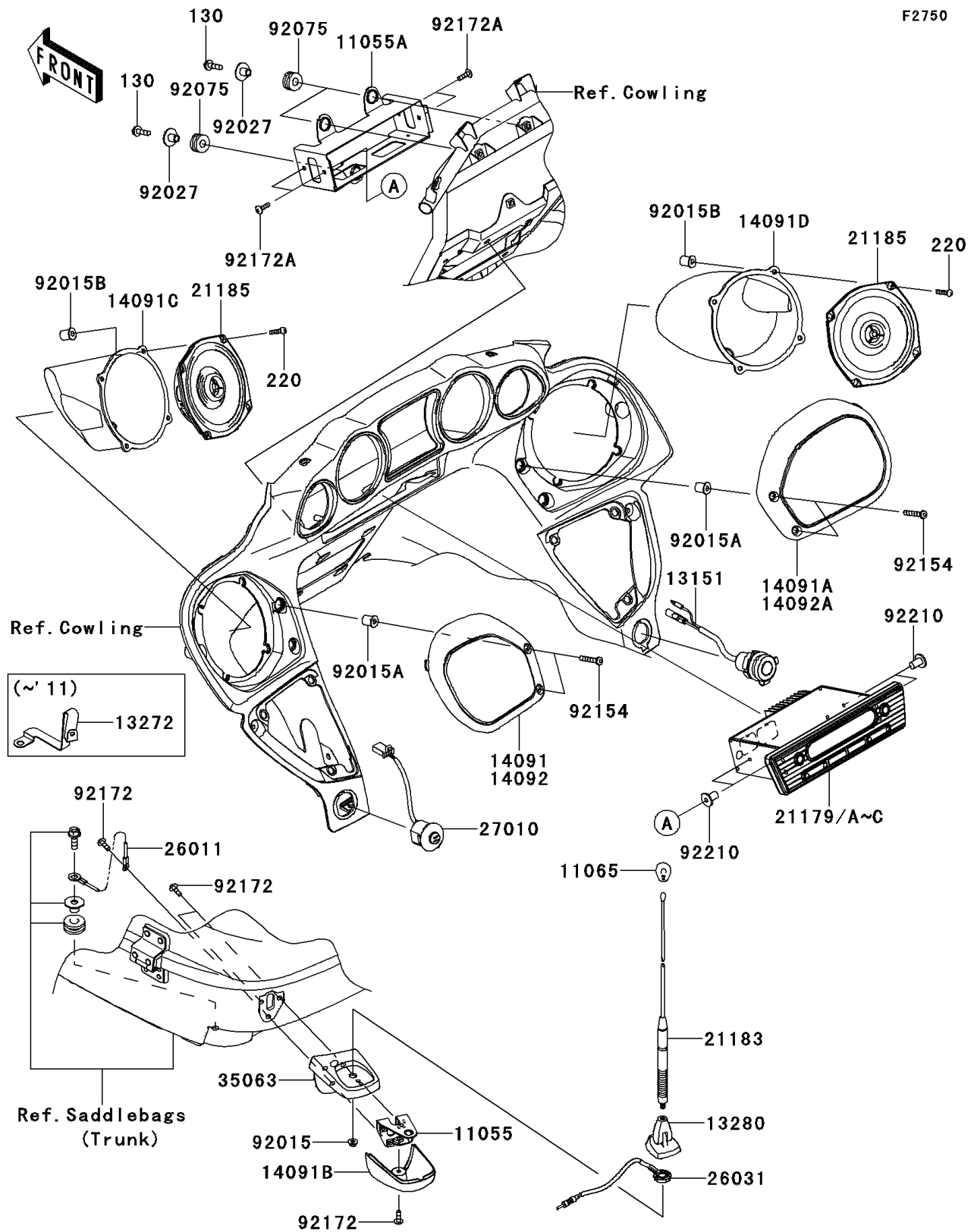


2009 Vulcan® 1700 Voyager®

PARTS DIAGRAM

Other



2009 Vulcan® 1700 Voyager®

PARTS LIST

Other



ITEM NAME

PART NUMBER

QUANTITY
