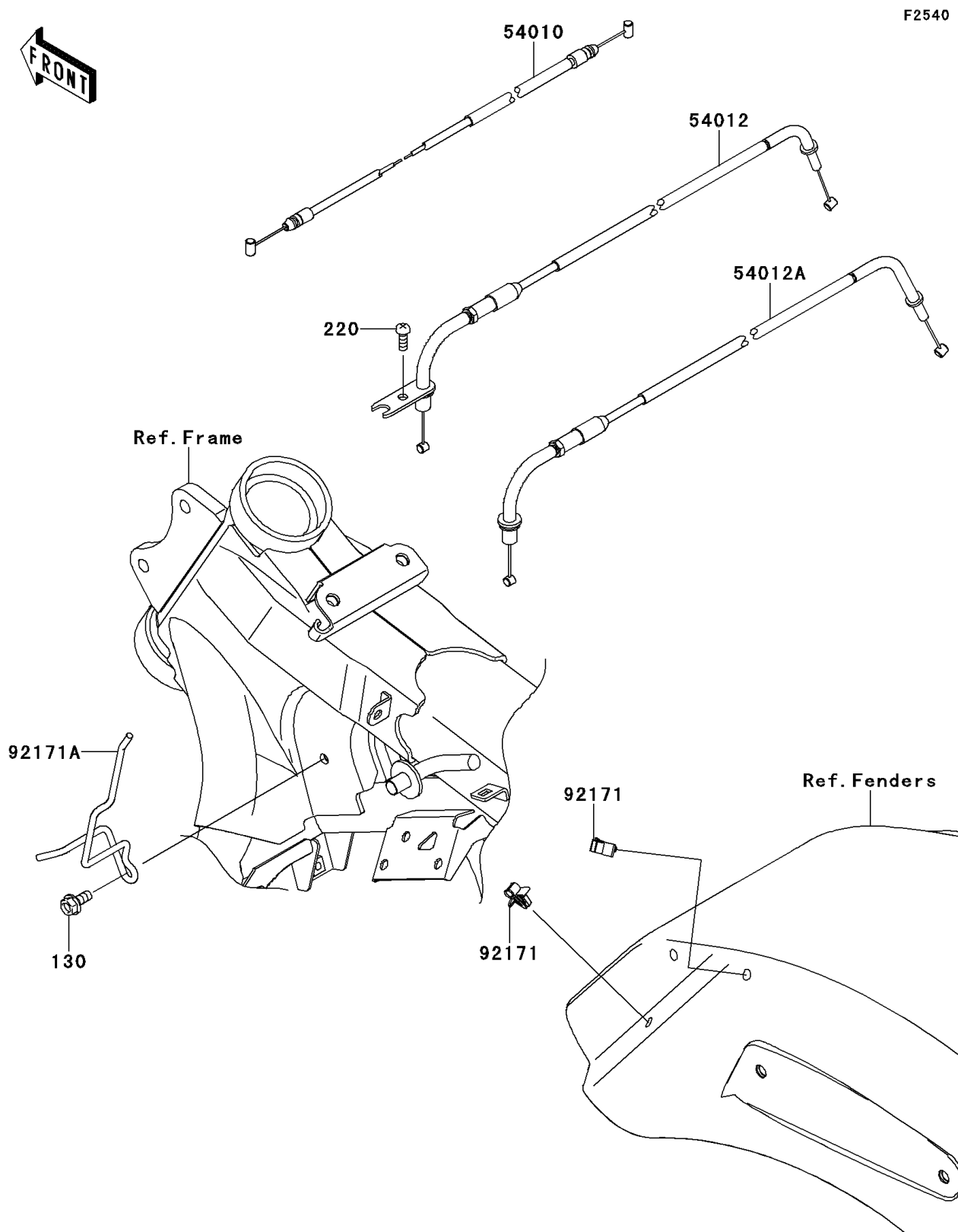


2009 Vulcan® 1700 Voyager®

PARTS DIAGRAM

Cables



2009 Vulcan® 1700 Voyager®

PARTS LIST

Cables



ITEM NAME

PART NUMBER

QUANTITY
