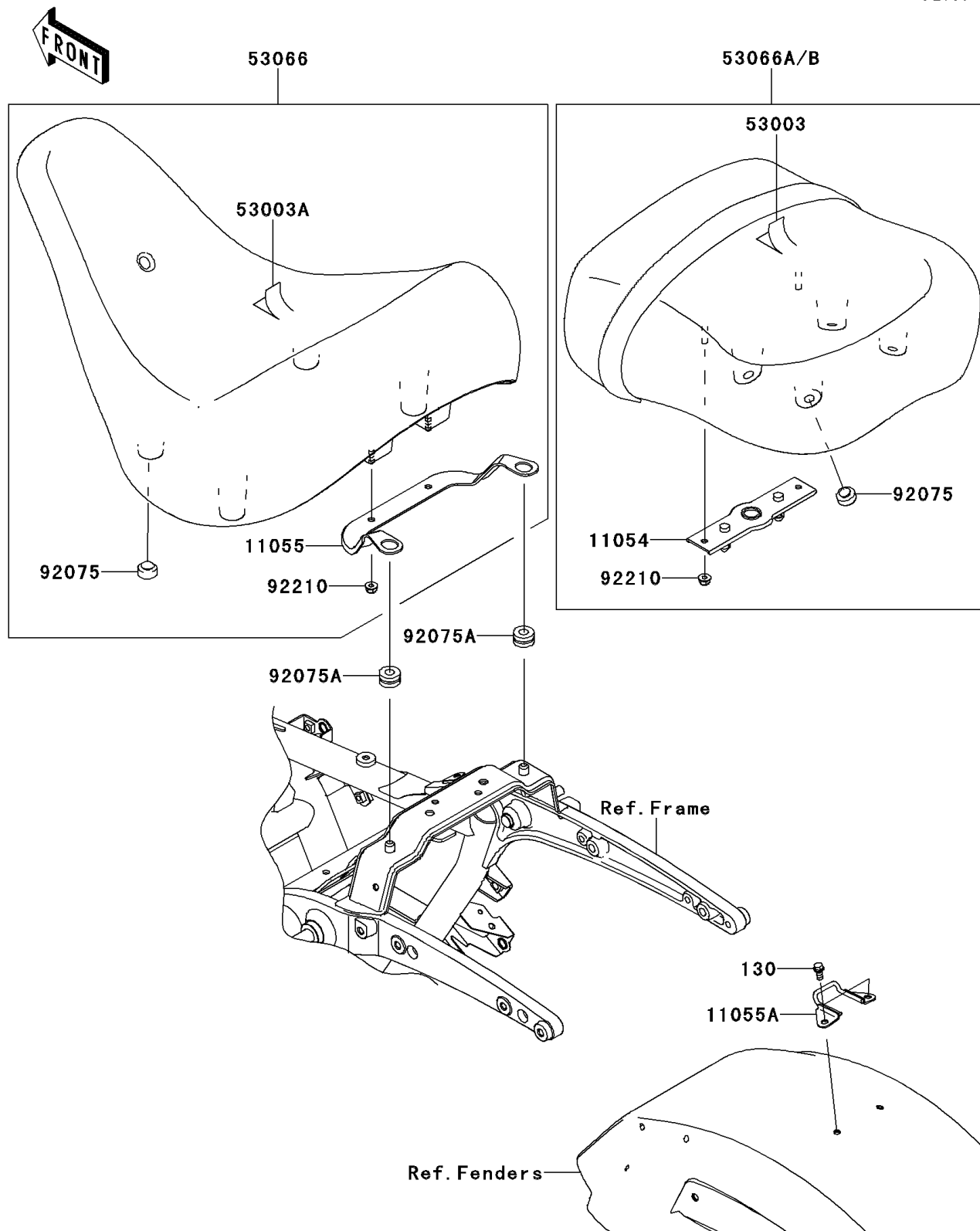


2009 Vulcan® 1700 Voyager®

PARTS DIAGRAM

Seat

F2510



2009 Vulcan® 1700 Voyager®

PARTS LIST

Seat

ITEM NAME

PART NUMBER

QUANTITY
