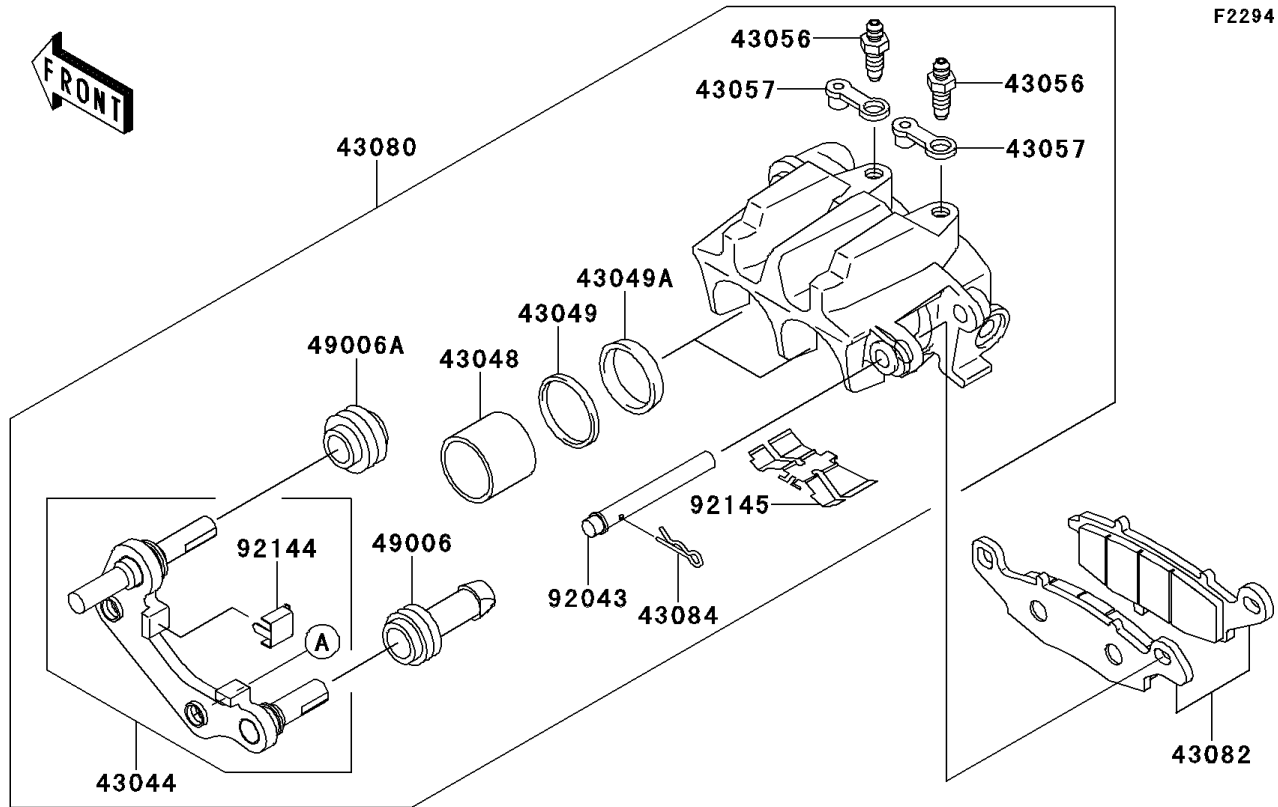


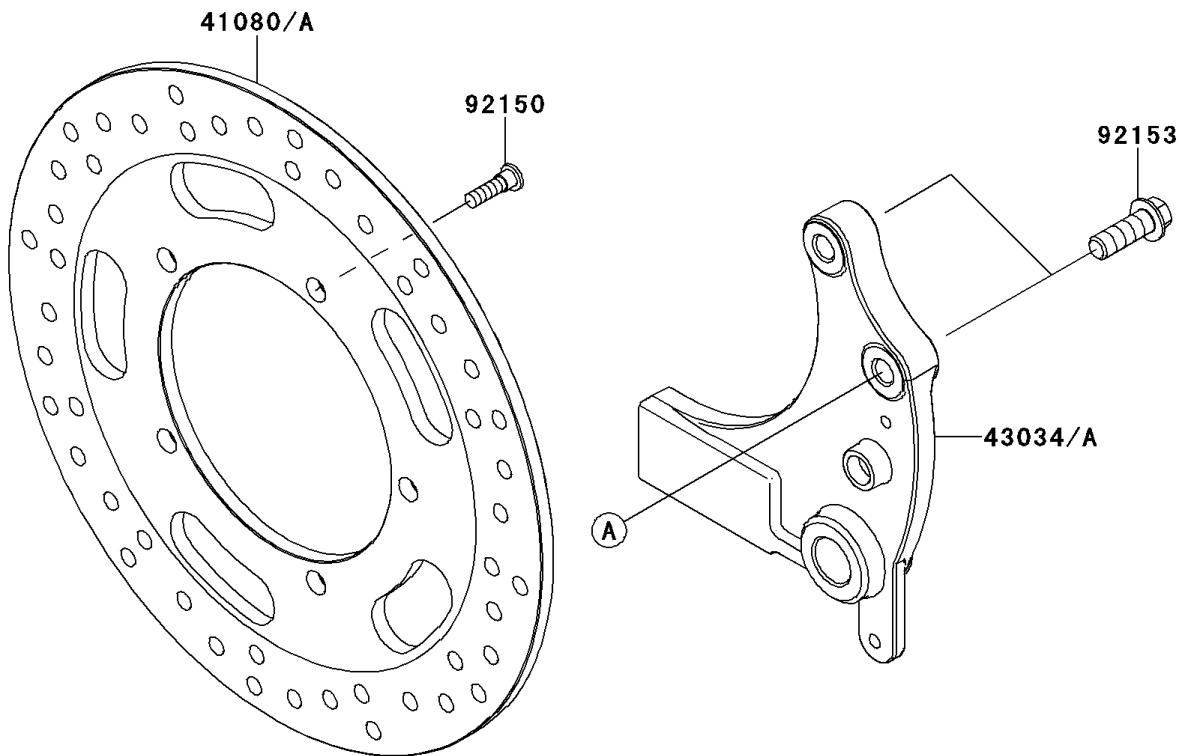
2009 Vulcan® 1700 Voyager®

PARTS DIAGRAM

Rear Brake



F2294



2009 Vulcan® 1700 Voyager®

PARTS LIST

Rear Brake

ITEM NAME

PART NUMBER

QUANTITY
