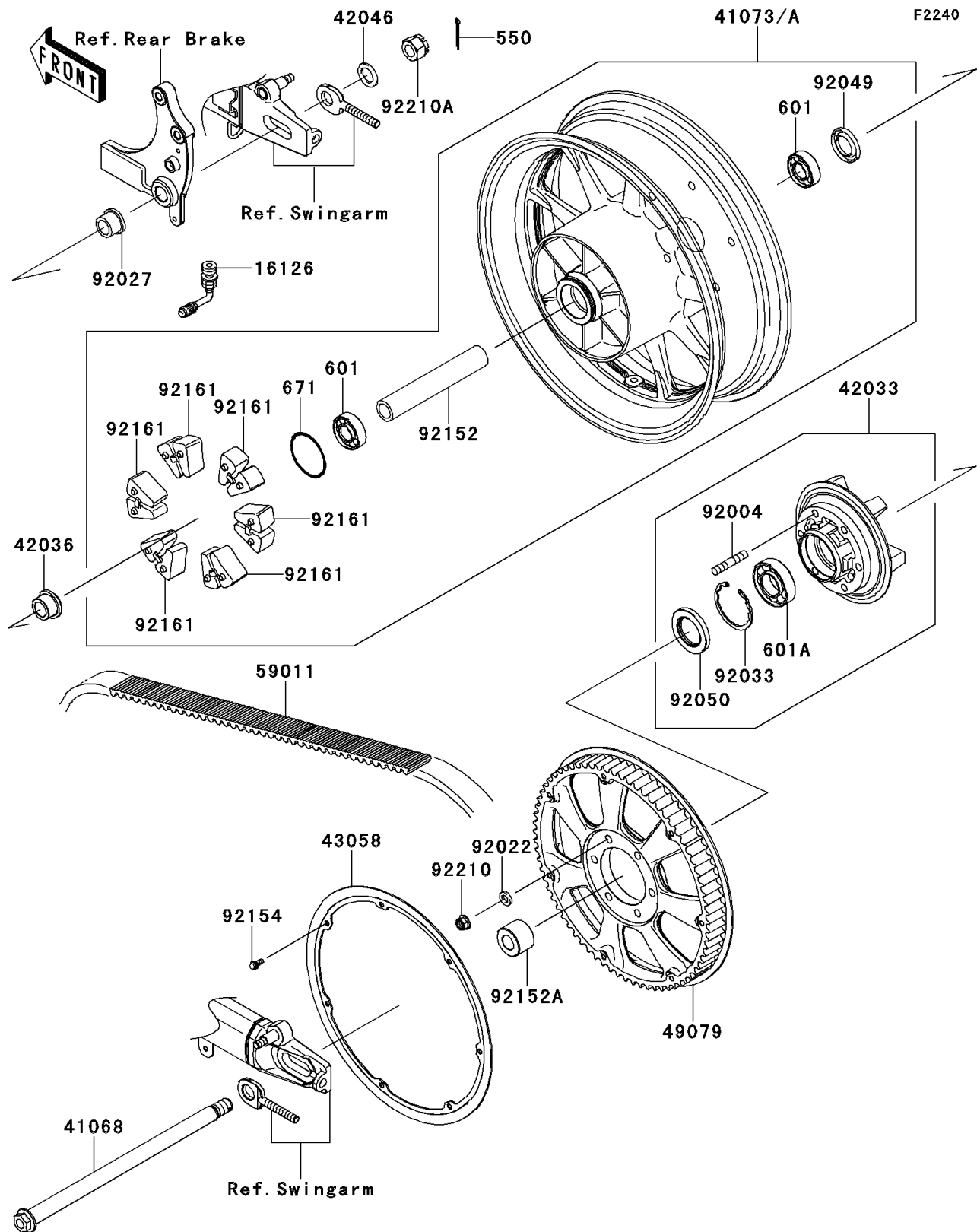


# 2009 Vulcan® 1700 Voyager®

**Kawasaki**  
Let the Good Times Roll®

## PARTS DIAGRAM

### Rear Wheel/Chain



# 2009 Vulcan® 1700 Voyager®

## PARTS LIST

### Rear Wheel/Chain



**ITEM NAME**

**PART NUMBER**

**QUANTITY**

---