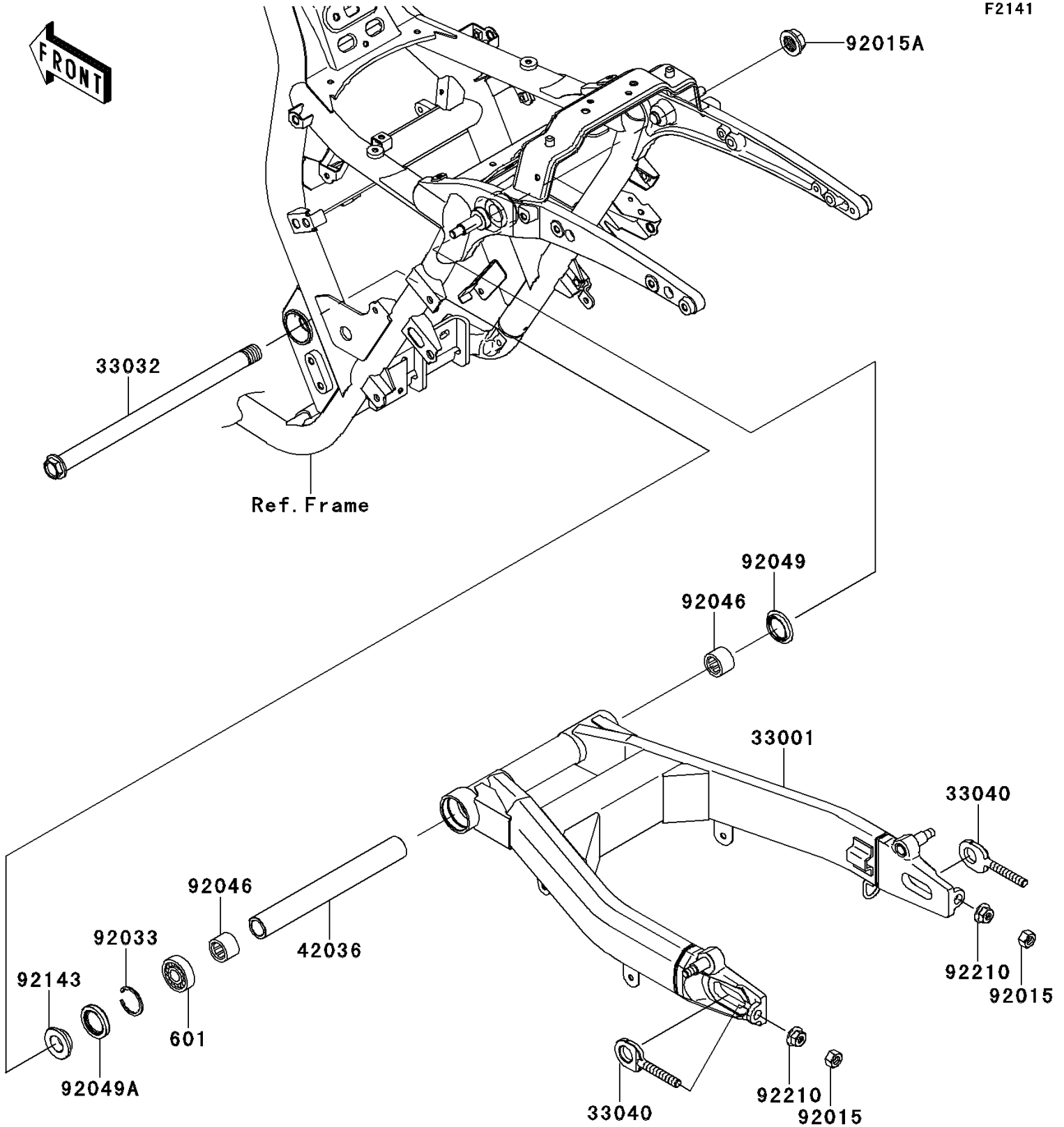


2009 Vulcan® 1700 Voyager®

PARTS DIAGRAM

Swingarm

F2141



2009 Vulcan® 1700 Voyager®

PARTS LIST

Swingarm

ITEM NAME

PART NUMBER

QUANTITY
