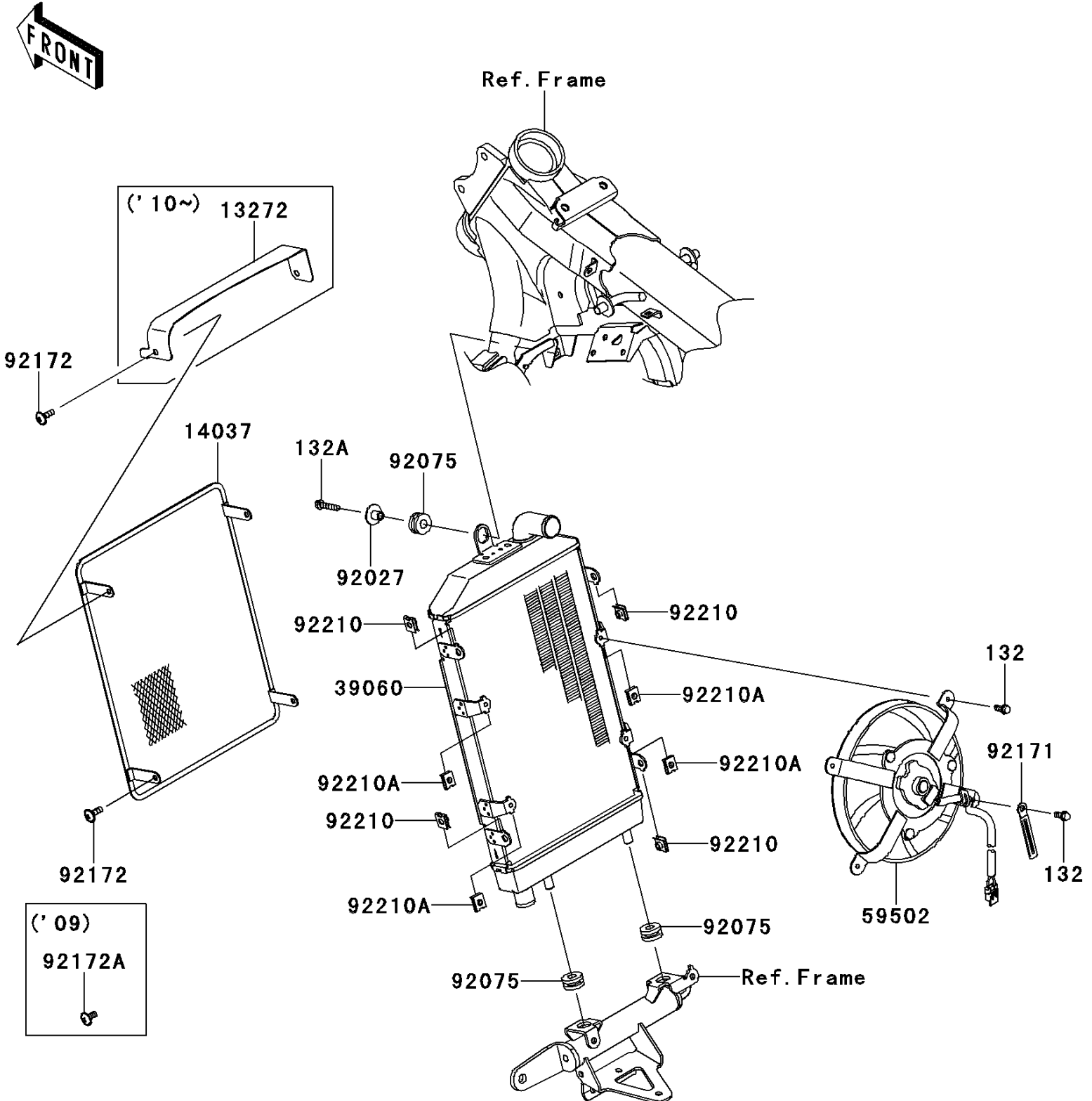


2009 Vulcan® 1700 Voyager®

PARTS DIAGRAM

Radiator(A9F-ABF)



2009 Vulcan® 1700 Voyager®

PARTS LIST

Radiator(A9F-ABF)

ITEM NAME

PART NUMBER

QUANTITY
