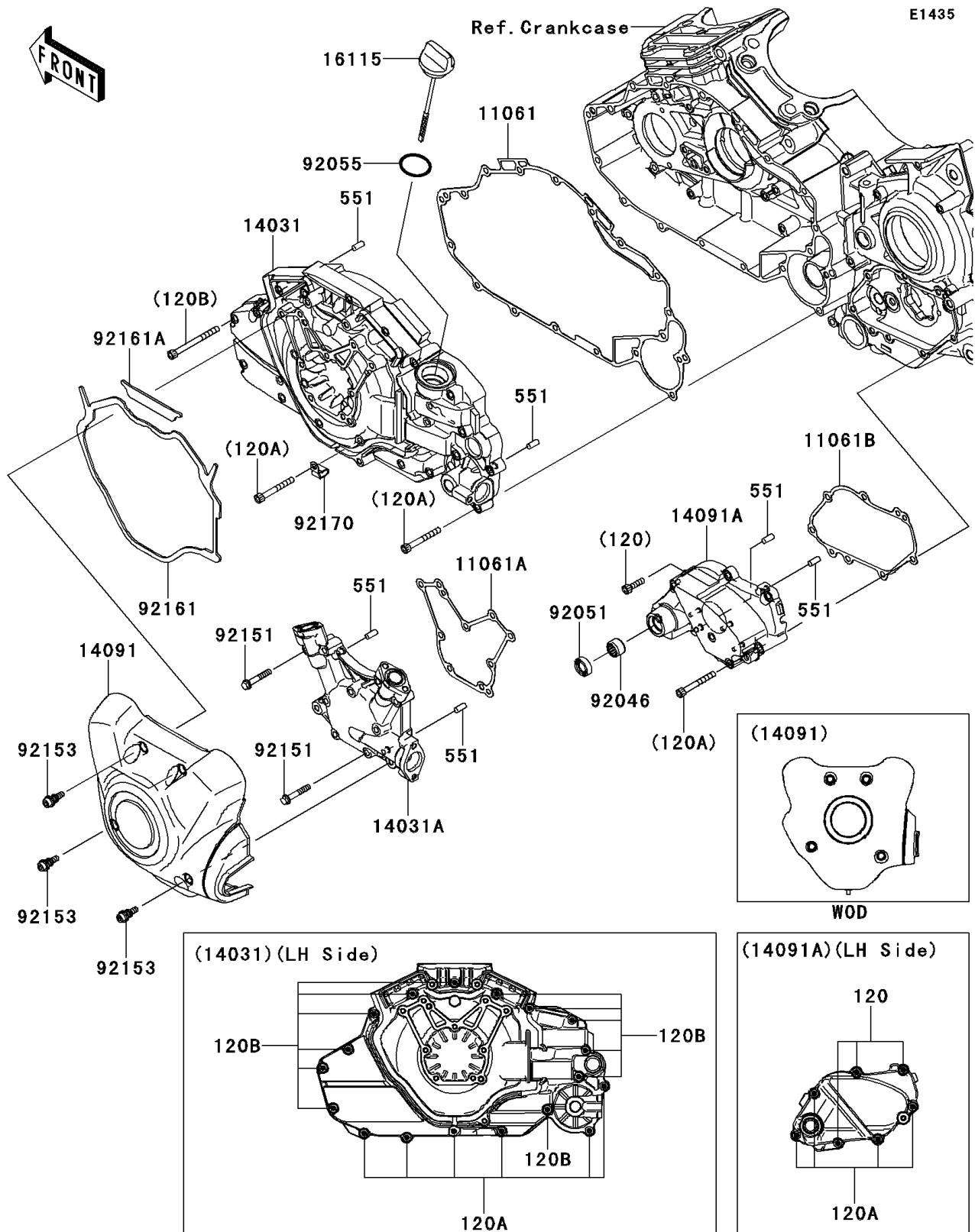


2009 Vulcan® 1700 Voyager®

PARTS DIAGRAM Left Engine Cover(s)



2009 Vulcan® 1700 Voyager®

PARTS LIST

Left Engine Cover(s)

ITEM NAME

PART NUMBER

QUANTITY
