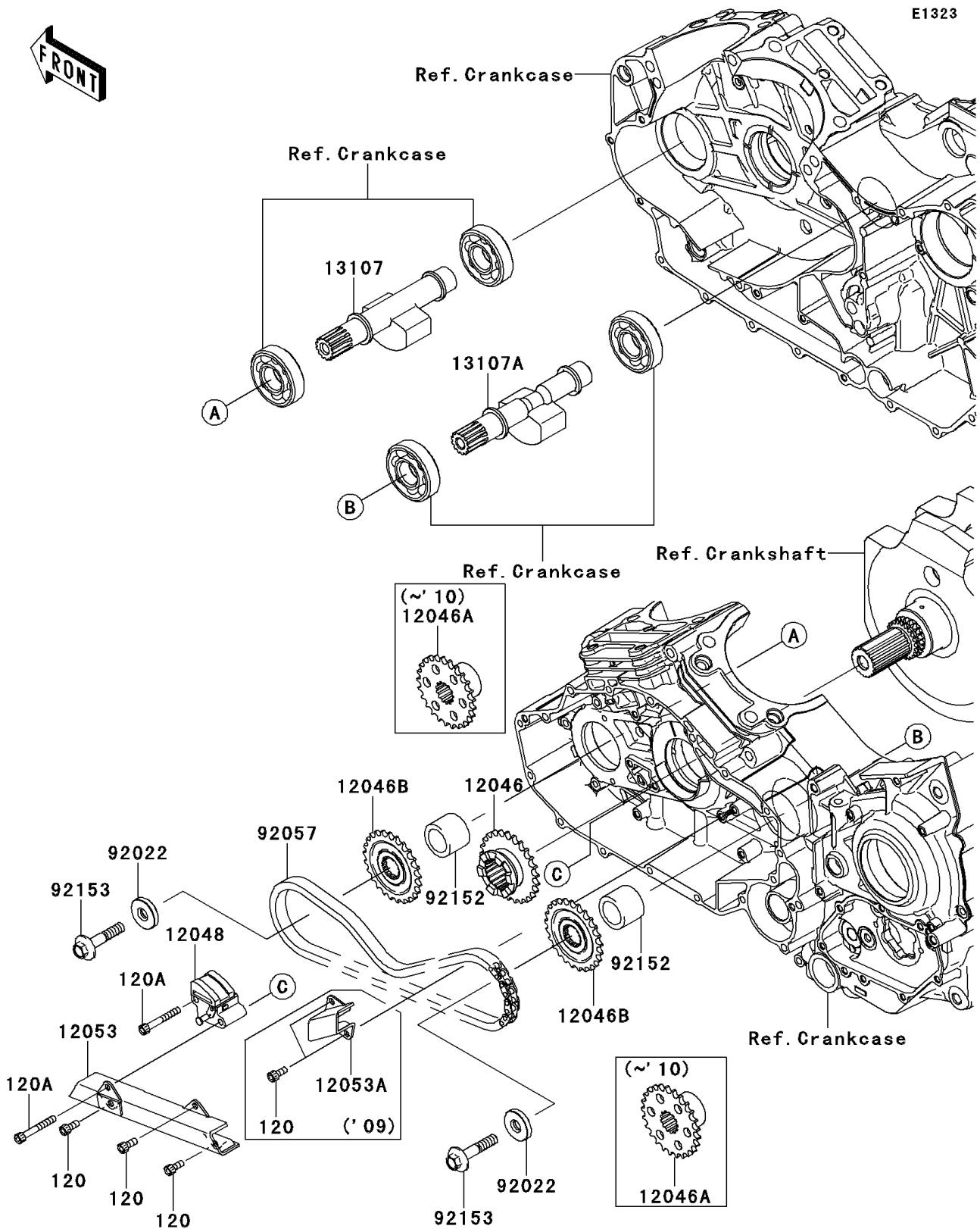


# 2009 Vulcan® 1700 Voyager®

## PARTS DIAGRAM

### Balancer



# 2009 Vulcan® 1700 Voyager®

## PARTS LIST

### Balancer

**ITEM NAME**

**PART NUMBER**

**QUANTITY**

---