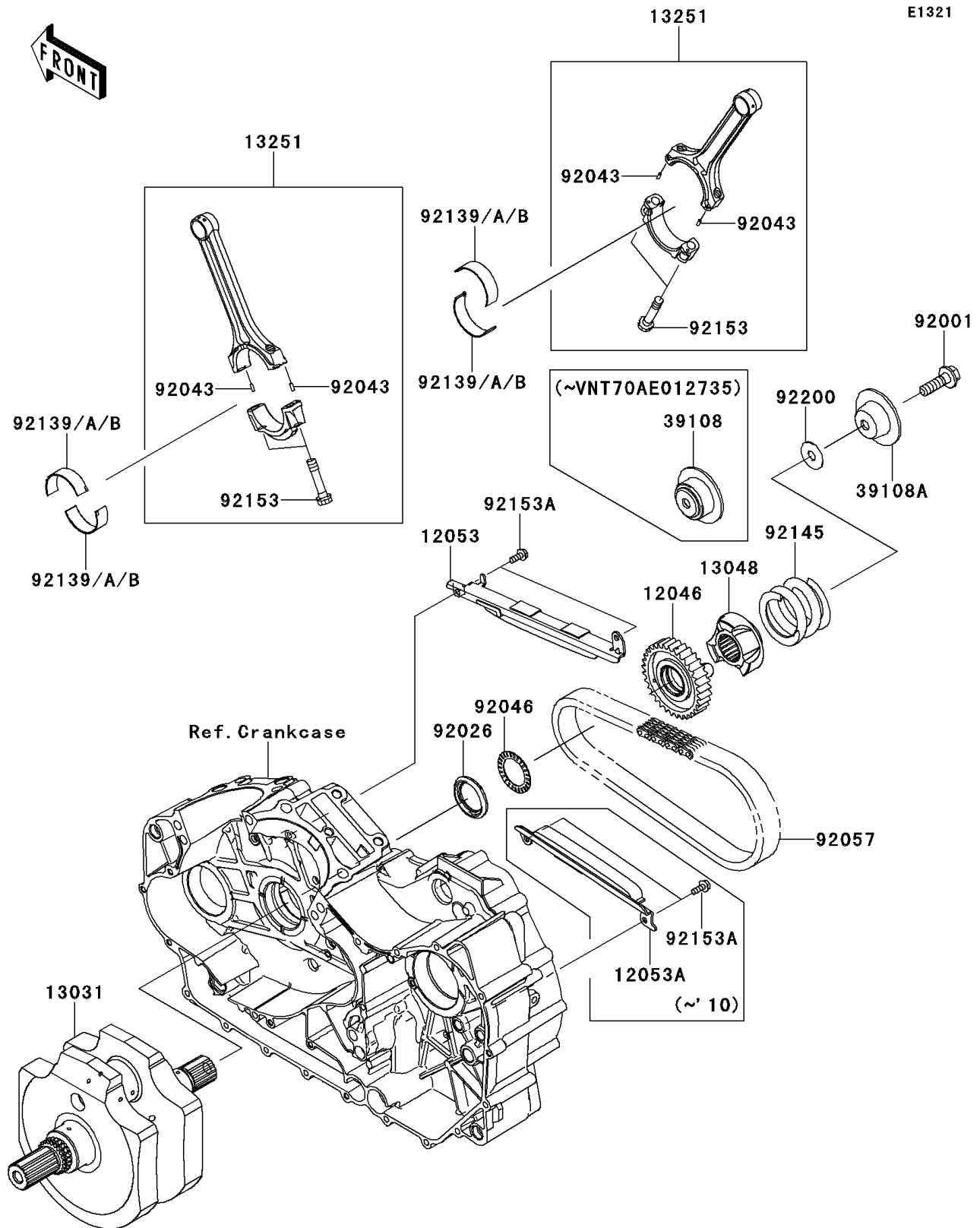


2009 Vulcan® 1700 Voyager®

PARTS DIAGRAM

Crankshaft



2009 Vulcan® 1700 Voyager®

PARTS LIST

Crankshaft



ITEM NAME

PART NUMBER

QUANTITY
