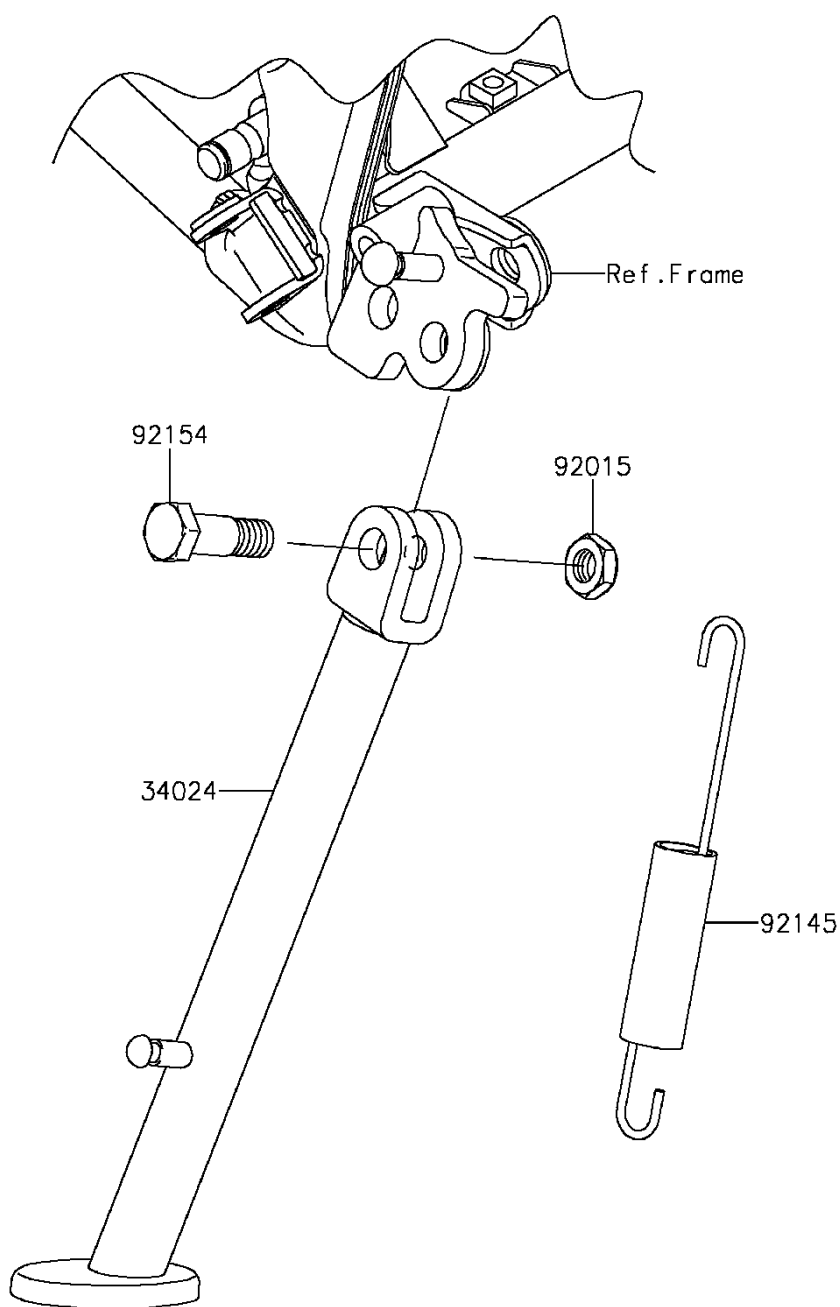


# 2016 KLX<sup>®</sup>140

## PARTS DIAGRAM

### Stand(s)

F2190



# 2016 KLX<sup>®</sup>140

## PARTS LIST

### Stand(s)

ITEM NAME	PART NUMBER	QUANTITY
STAND-SIDE,P.SILVER (Ref # 34024)	34024-0062-458	1
NUT,LOCK,10MM,BLACK (Ref # 92015)	92015-1188	1
SPRING,SIDE STAND (Ref # 92145)	92145-0584	1
BOLT,SIDE STAND (Ref # 92154)	92154-0412	1