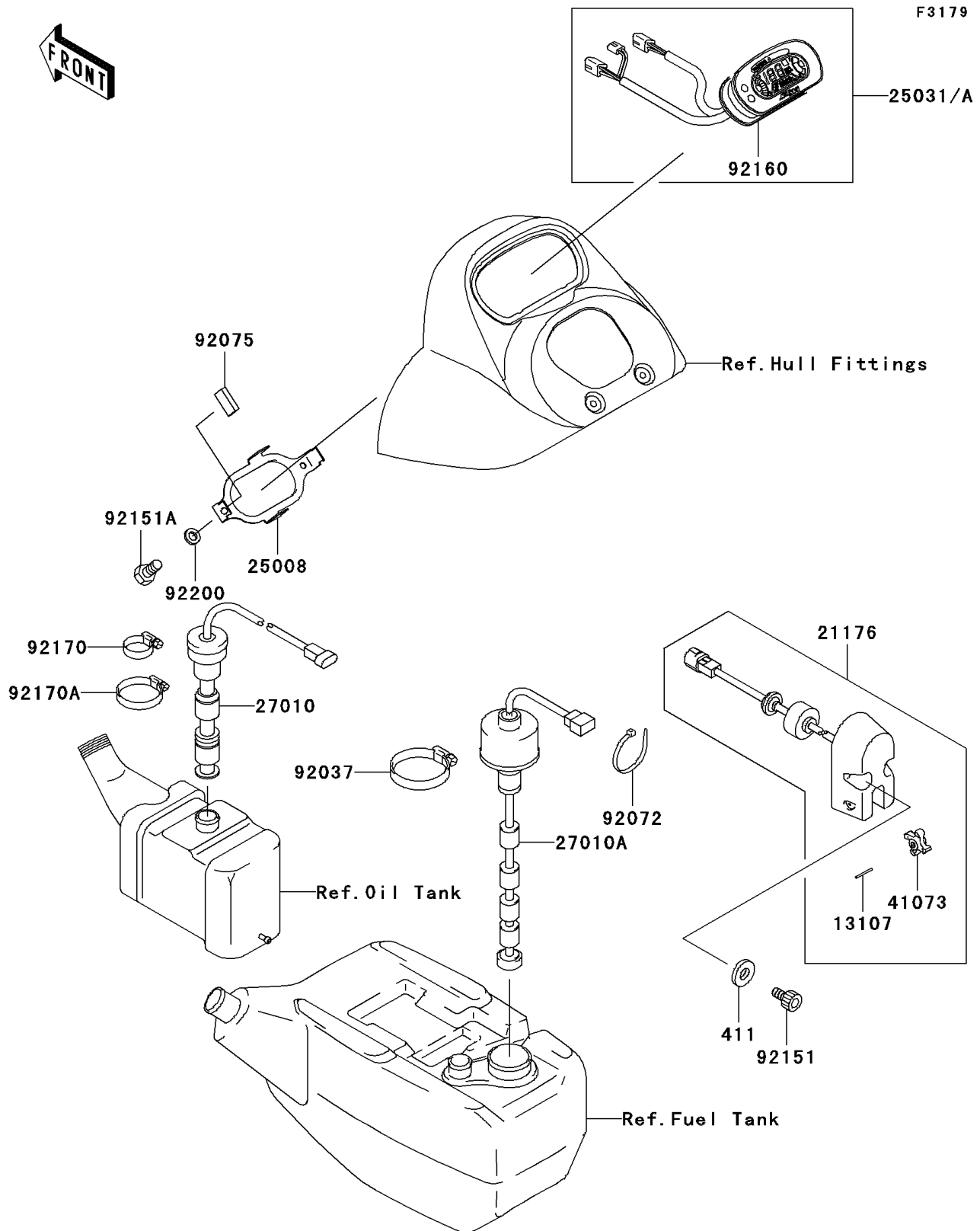


# 2001 1100 STX D.I.

## PARTS DIAGRAM

### Meters



# 2001 1100 STX D.I.

## PARTS LIST

Meters

**ITEM NAME**

**PART NUMBER**

**QUANTITY**

---