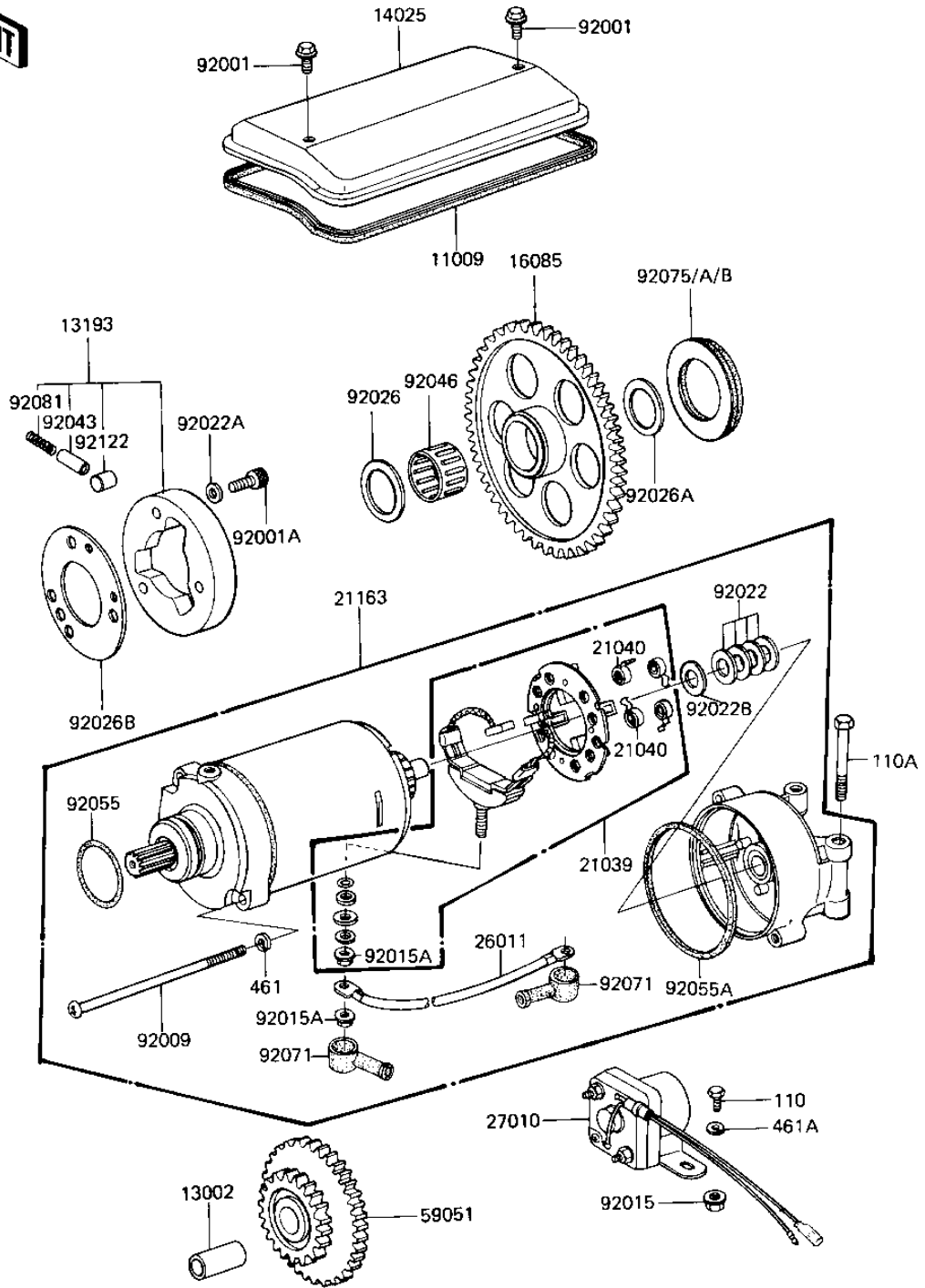


# 1982 Spectre

## PARTS DIAGRAM

### STARTER MOTOR/STARTER CLUTCH

E1840-0015



# 1982 Spectre

## PARTS LIST

### STARTER MOTOR/STARTER CLUTCH

**ITEM NAME**

**PART NUMBER**

**QUANTITY**

---