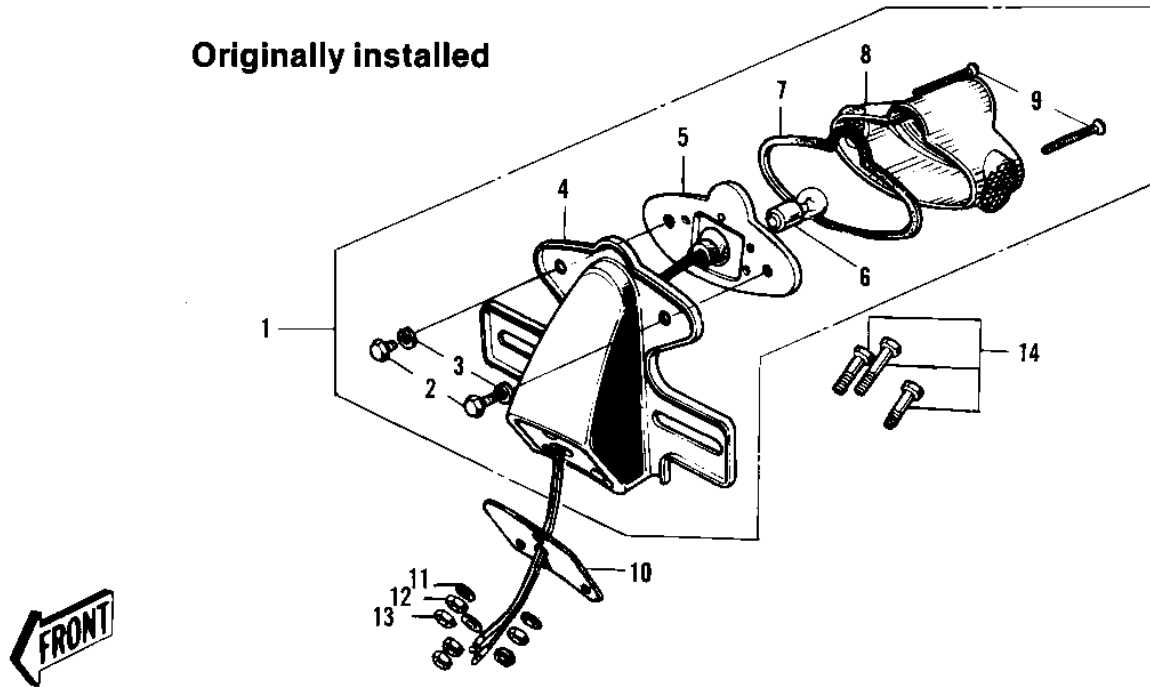


# 1968 Sidewinder

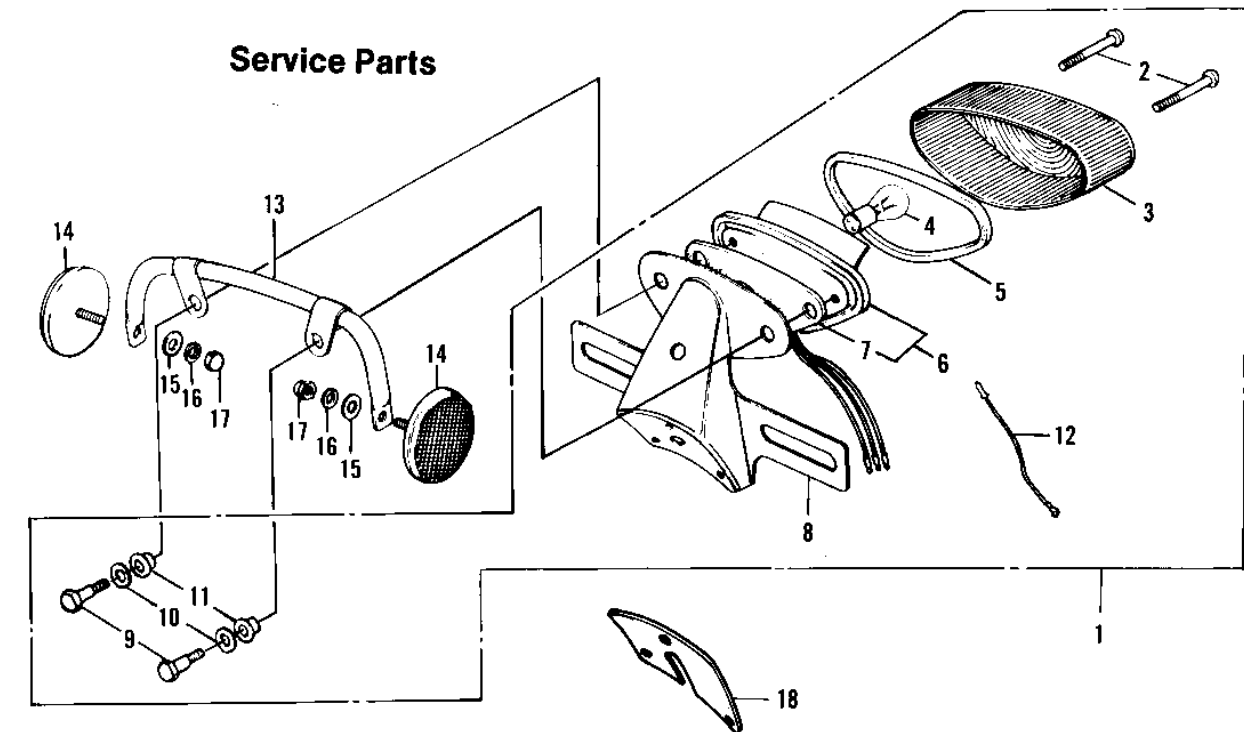
## PARTS DIAGRAM

### TAILLIGHT

Originally installed



Service Parts



# 1968 Sidewinder

## PARTS LIST

### TAILLIGHT

ITEM NAME	PART NUMBER	QUANTITY
LAMP ASSY TAIL (Ref # 1)	23025-027	
LAMP ASSY TAIL BLACK (Ref # 1)	23025-029-10	
BOLT HEX HEAD 5X12 (Ref # 2)	110N0512	
BOLT HEX HEAD (Ref # 2)	110N0512A	
WASHER SPRING 5MM (Ref # 3)	461F0500	
BKT LICENSE PLT (Ref # 4)	23036-002	
BKT LICENSE PLT BLACK (Ref # 4)	23036-007-10	
SOCKET TAIL LAMP (Ref # 5)	23027-009	
BULB,12V 32/3CP (Ref # 6)	92069-059	
UNAVAILABLE IN PRICE BOOK (Ref # 7)	23028-006	
LENS TAIL LAMP (Ref # 8)	23026-010	
SCREW PAN HEAD 4X50 (Ref # 9)	220E0450	
DAMPER TAIL LAMP SHCK (Ref # 10)	35039-001	
DAMPER-TAIL LAMP SHCK (Ref # 10)	35039-005	
DAMPER-TAIL LAMP SHCK (Ref # 10)	35039-005	
WASHER SPRING 6MM (Ref # 11)	461F0600	
NUT 6MM (Ref # 12)	311B0600	
NUT 6MM (Ref # 13)	312B0600	
BOLT-UPSET,6X20 (Ref # 14)	112G0620	
BOLT-UPSET (Ref # 14)	112G0630	
TAIL LAMP ASSY, FLAT BLACK (Ref # 1)	23024-020-21	
.SCREW (Ref # 2)	220R0455	
SCREW (Ref # 2)	220R0455	
.LENS-TAIL LAMP (Ref # 3)	23026-022	
.BULB,12V 32/3CP (Ref # 4)	92069-059	
.GASKET-TAIL LAMP LENS (Ref # 5)	23028-016	
.CASE-TAIL LAMP (Ref # 6)	23027-029	
.GASKET-TAIL LAMP CASE (Ref # 7)	23028-015	
.BKT-LICENSE PLT,BLACK (Ref # 8)	23036-014-21	

# 1968 Sidewinder

## PARTS LIST

### TAILLIGHT

ITEM NAME	PART NUMBER	QUANTITY
.BOLT (Ref # 9)	92001-111	
.WASHER,8.5X20X1.6 (Ref # 10)	92022-1561	
.DAMPER RUBBER (Ref # 11)	92075-091	
.WIRE IGNITION LEAD (Ref # 12)	26011-014	
BRACKET-REFLECTOR (Ref # 13)	28013-002	
REFLECTOR-REFLEX,REAR (Ref # 14)	28012-008	
WASHER PLAIN 5MM (Ref # 15)	411B0500	
WASHER SPRING 5MM (Ref # 16)	461F0500	
NUT-CAP,5MM (Ref # 17)	322N0500	
DAMPER-TAIL LAMP SHCK (Ref # 18)	35039-005	
DAMPER-TAIL LAMP SHCK (Ref # 18)	35039-005	