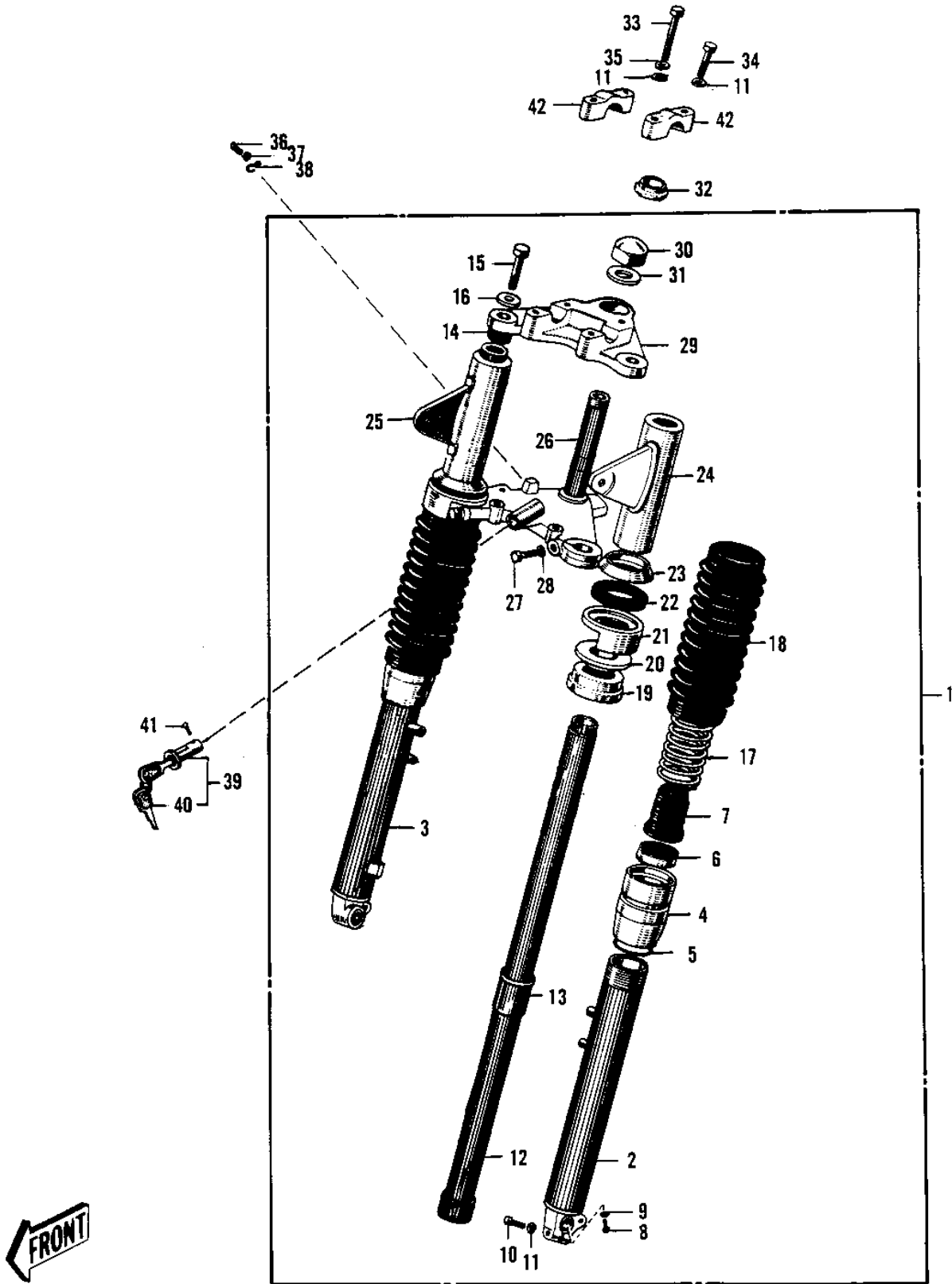


# 1968 Bushwhacker

## PARTS DIAGRAM FRONT FORK ('68-'69)



# 1968 Bushwhacker

## PARTS LIST

### FRONT FORK ('68-'69)

**ITEM NAME**

**PART NUMBER**

**QUANTITY**

---