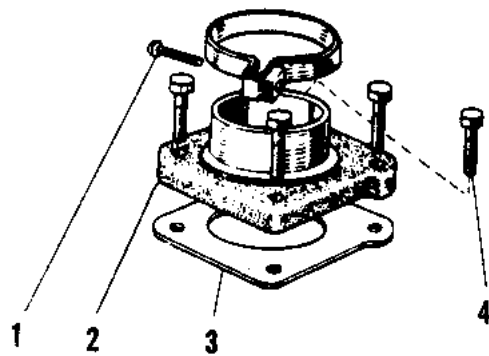
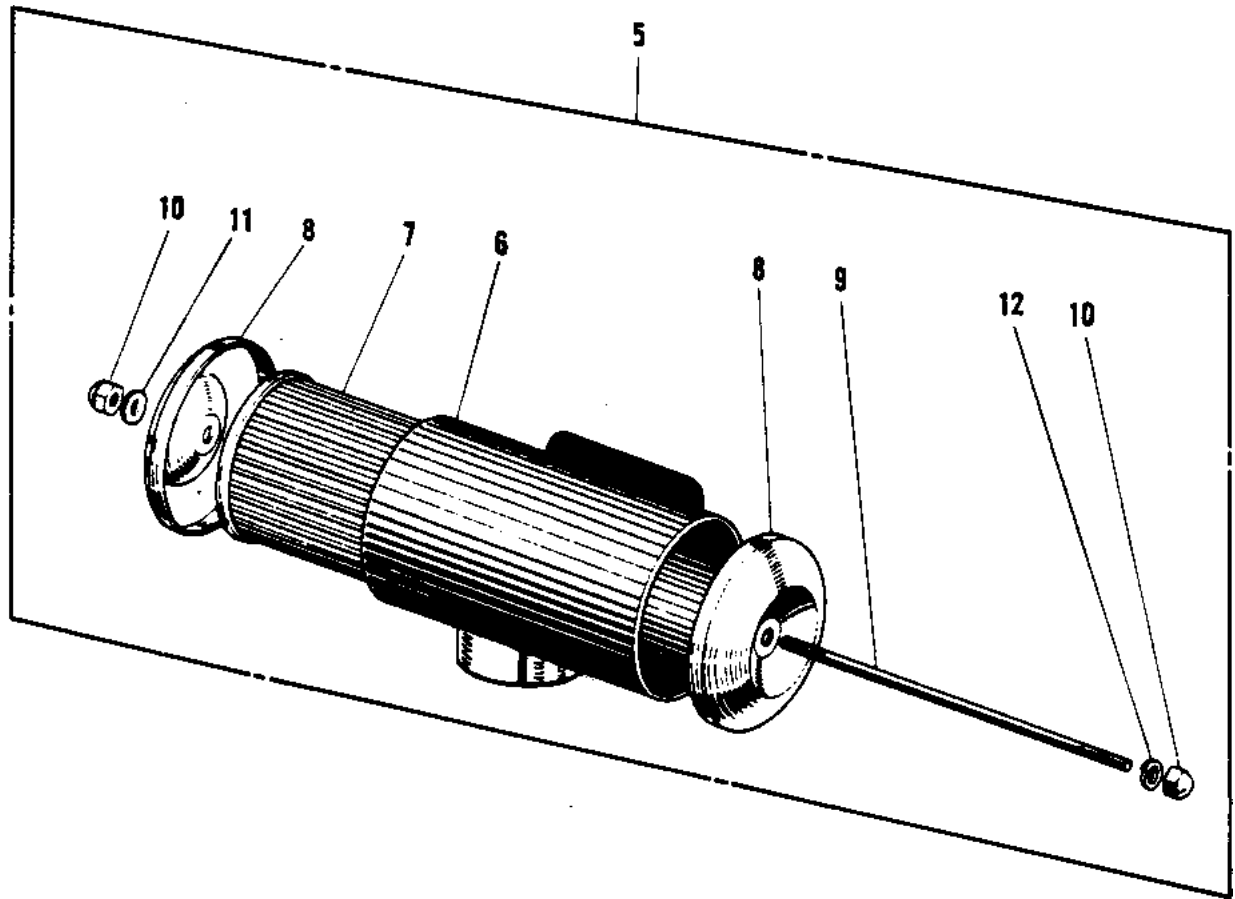


# 1968 Bushwhacker

## PARTS DIAGRAM

### AIR CLEANER



# 1968 Bushwhacker

## PARTS LIST AIR CLEANER

**ITEM NAME**

**PART NUMBER**

**QUANTITY**

---