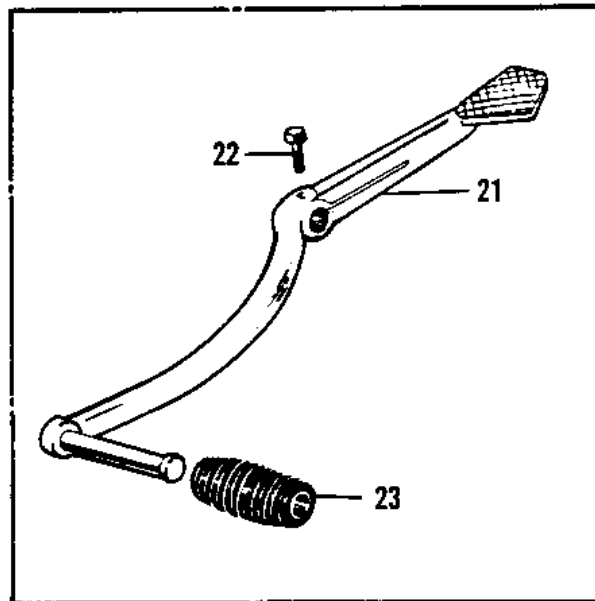
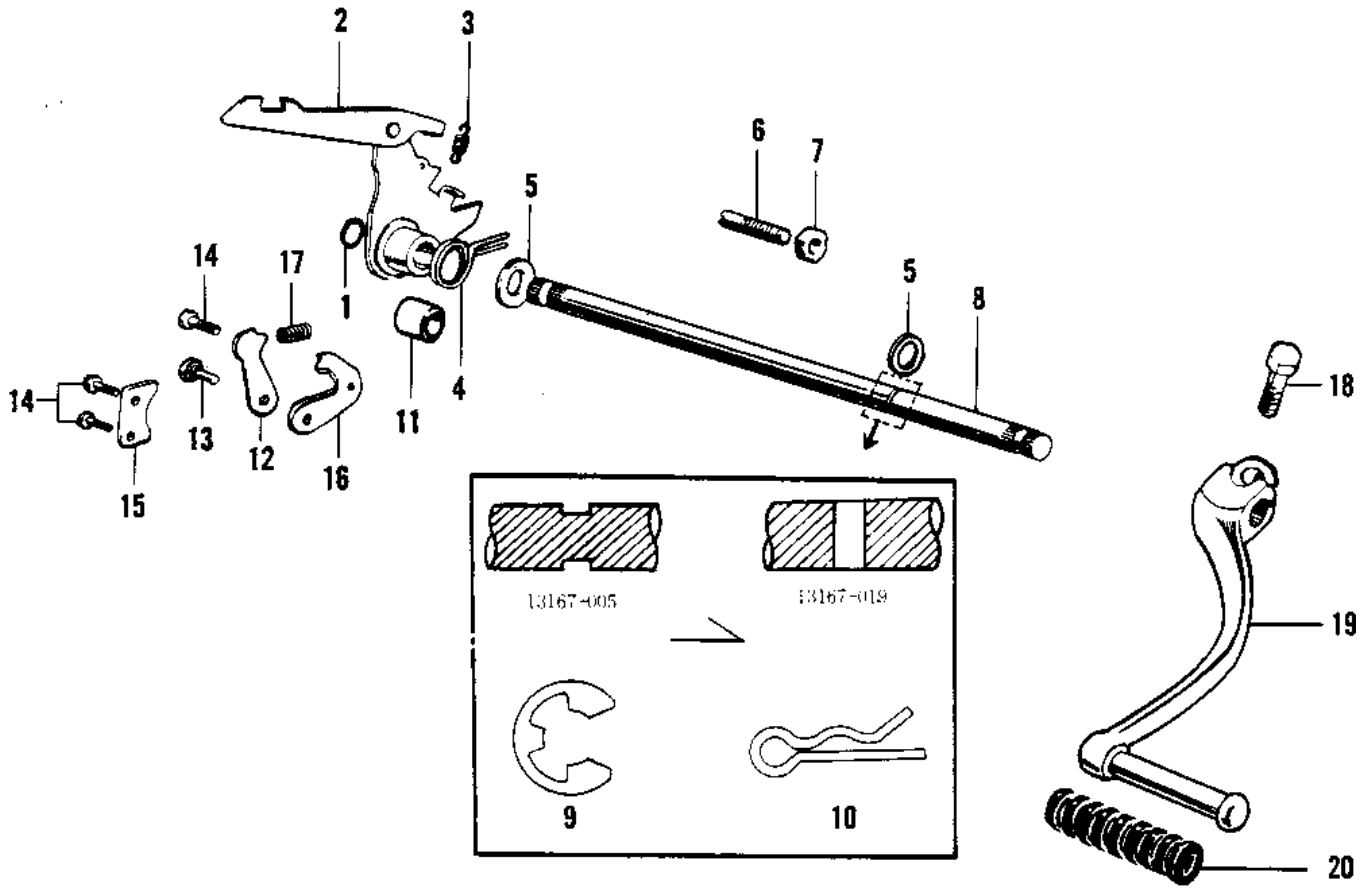


1969 Bushwhacker

PARTS DIAGRAM GEAR CHANGE MECHANISM



1969 Bushwhacker

PARTS LIST

GEAR CHANGE MECHANISM

ITEM NAME	PART NUMBER	QUANTITY
CIRCLIP 10MM (Ref # 1)	92033-002	
LEVER-COMP-CHANGE (Ref # 2)	13161-5002	
LEVER ASSY,GEAR CHANG (Ref # 2)	13161-037	
SPRING GEAR CHNG LEV (Ref # 3)	92083-011	
SPRING,TENTION (Ref # 4)	92081-1129	
UNAVAILABLE IN PRICE BOOK (Ref # 4)	92083-1129	
WASER 12MM (Ref # 5)	92022-003	
BOLT,RETURN SPRING (Ref # 6)	92001-1401	
BOLT,RETURN SPRING (Ref # 6)	92001-1401	
NUT 8MM (Ref # 7)	312B0800	
UNAVAILABLE IN PRICE BOOK (Ref # 8)	13167-005	
LEVER-COMP-CHANGE (Ref # 8)	13161-5002	
LEVER ASSY,GEAR CHANG (Ref # 8)	13161-037	
CIRCLIP 10MM (Ref # 9)	482J0100	
COTTER PIN (Ref # 10)	92041-004	
COLLAR (Ref # 11)	92027-121	
LEVER GEAR CHNG DRUM (Ref # 12)	13168-003	
SCREW CHANGE DRUM LEV (Ref # 13)	92011-001	
SCREW PAN HEAD 6X14 (Ref # 14)	220B0614	
PLATE DRUM LEV POSTON (Ref # 15)	13169-001	
PLATE CHANGE DRUM LEV (Ref # 16)	13170-003	
SPRING,CHNG DRUM LEVR (Ref # 17)	92081-004	
BOLT-UPSET,6X20 (Ref # 18)	112G0620	
PEDAL GEAR CHANGE (Ref # 19)	13156-019	
RUBBER CHANGE PEDAL (Ref # 20)	13157-004	
PEDAL GEAR CHANGE (Ref # 21)	13156-012	
BOLT-UPSET (Ref # 22)	112G0625	
RUBBER CHANGE PEDAL A (Ref # 23)	13157-002	