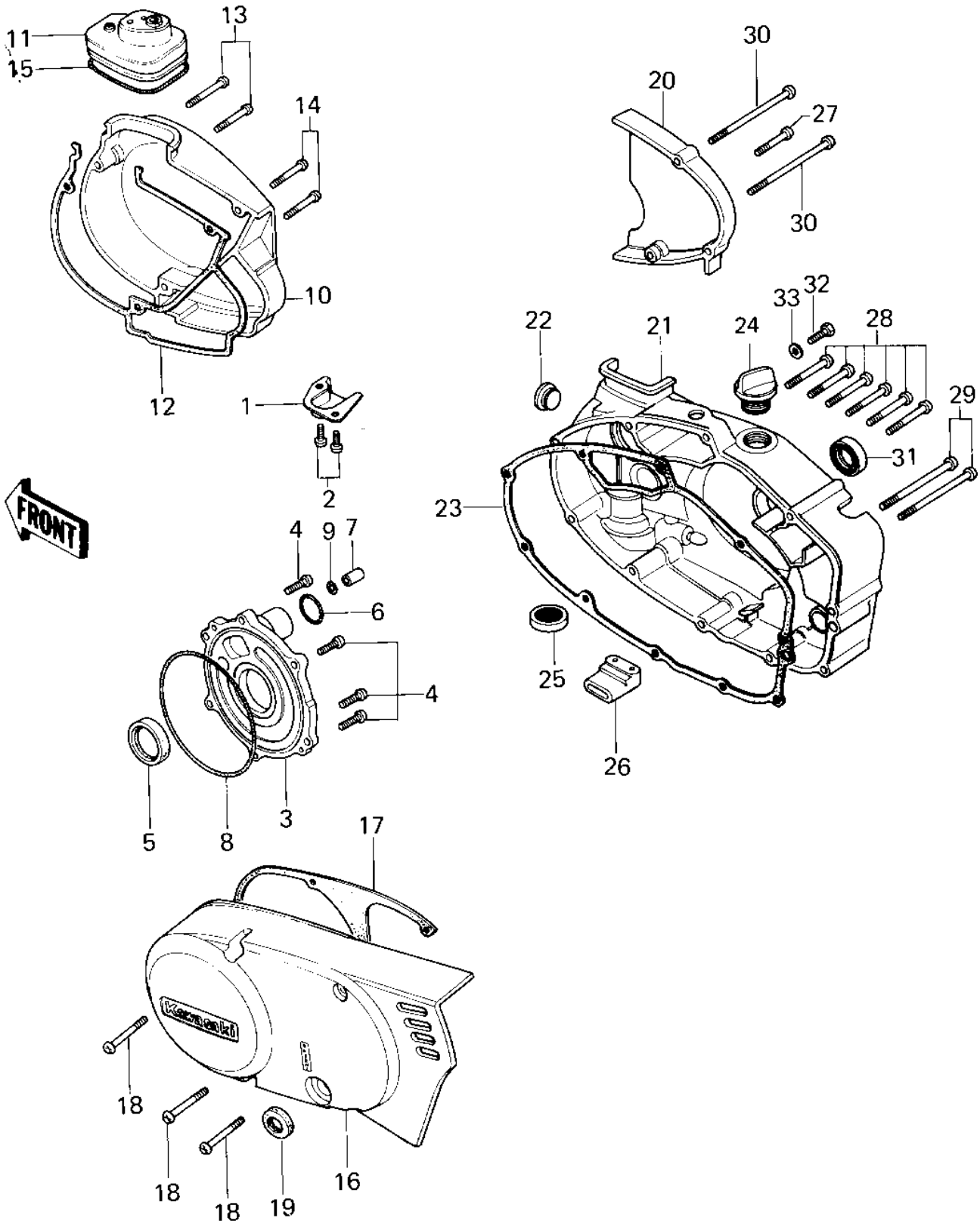


1981 KD80

PARTS DIAGRAM

ENGINE COVERS



1981 KD80

PARTS LIST ENGINE COVERS

ITEM NAME	PART NUMBER	QUANTITY
COVER,CLUTCH CABLE (Ref # 1)	14025-1137	
SCREW PAN HEAD 6X12 (Ref # 2)	220B0612	
COVER,ROTRY DISC VALV (Ref # 3)	14019-056	
SCREW PAN HEAD 6X20 (Ref # 4)	220B0620	
SEAL-OIL (Ref # 5)	92049-1250	
"O" RING,26MM (Ref # 6)	670B3026	
PIN DOWEL 8X16 (Ref # 7)	92042-017	
"O" RING,100MM (Ref # 8)	92055-010	
"O" RING,8MM (Ref # 9)	92055-029	
COVER,CARBURETOR (Ref # 10)	14030-1011	
CAP,CARBURETOR (Ref # 11)	14038-035	
GASKET,CARBURETOR COV (Ref # 12)	11060-1201	
SCREW PAN HEAD 6X20 (Ref # 13)	220B0620	
SCREW PAN HEAD 6X35 (Ref # 14)	220B0635	
SPRING COIL (Ref # 15)	92081-047	
COVER,L.H.ENGINE (Ref # 16)	14031-1043	
GASKET,GENERATOR COVE (Ref # 17)	11060-1202	
SCREW PAN HEAD 6X45 (Ref # 18)	220B0645	
OIL SEAL SB12205 (Ref # 19)	92049-004	
COVER,OIL PUMP (Ref # 20)	14025-1185	
COVER,R.H.ENGINE (Ref # 21)	14032-1029	
CAP CARB MOUNT HOLE (Ref # 22)	14039-001	
GASKET,CLUTCH COVER (Ref # 23)	11060-1198	
FILLER,OIL (Ref # 24)	16115-018	
DRAIN,FUEL (Ref # 25)	16116-006	
GROMMET,OVER FLOW (Ref # 26)	16136-007	
SCREW PAN HEAD 6X20 (Ref # 27)	220B0620	
SCREW PAN HEAD 6X30 (Ref # 28)	220B0630	
SCREW PAN HEAD 6X45 (Ref # 29)	220B0645	

1981 KD80

PARTS LIST ENGINE COVERS

ITEM NAME	PART NUMBER	QUANTITY
SCREW PAN HEAD 6X75 (Ref # 30)	220B0675	
OIL SEAL TB14257 (Ref # 31)	653B142507	
BOLT,HEX HEAD,6X14 (Ref # 32)	92001-121	
WASHER OIL PUMP BANJO (Ref # 33)	92022-077	