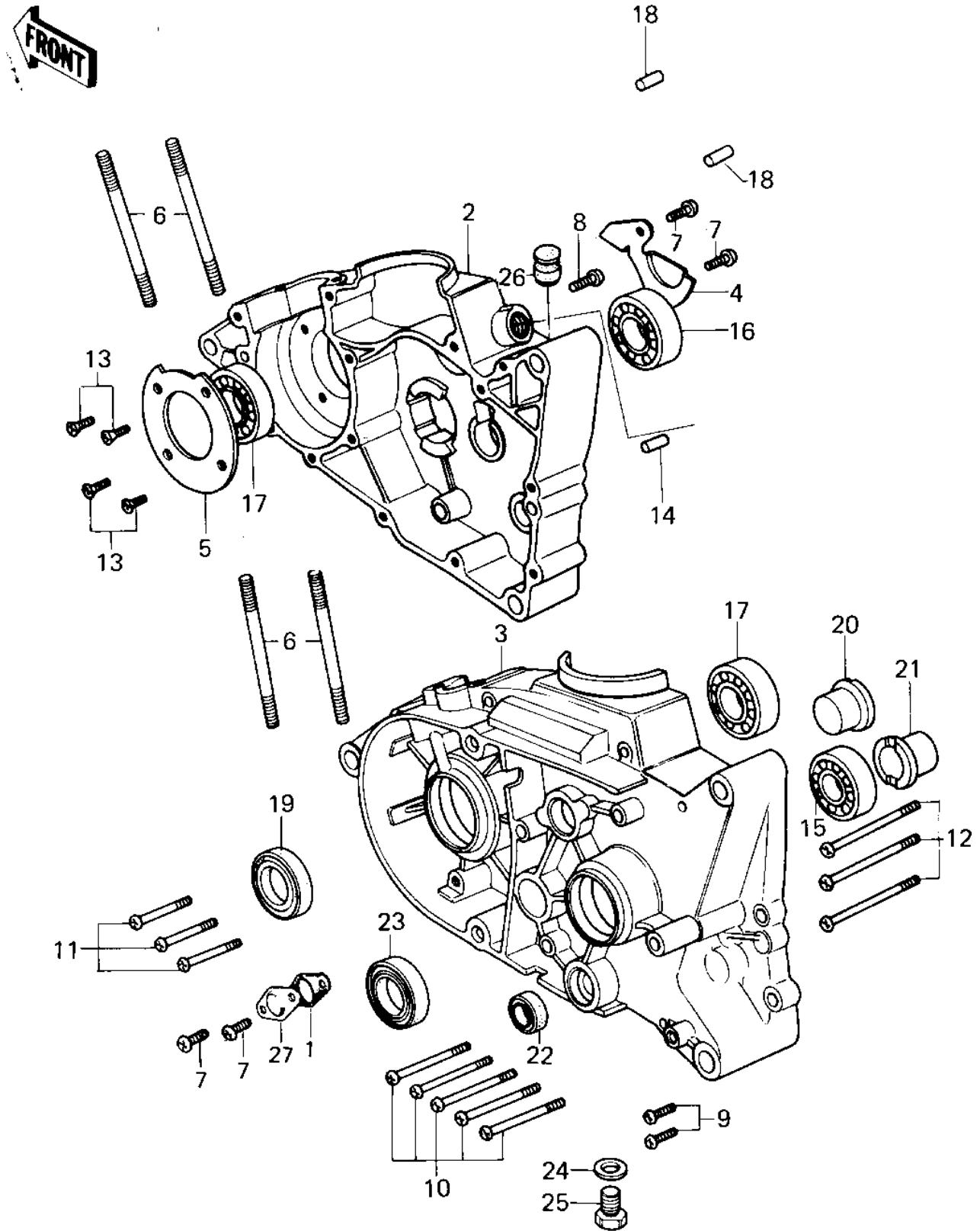


# 1980 KD80

## PARTS DIAGRAM

### CRANKCASE



# 1980 KD80

## PARTS LIST CRANKCASE

**ITEM NAME**

**PART NUMBER**

**QUANTITY**

---