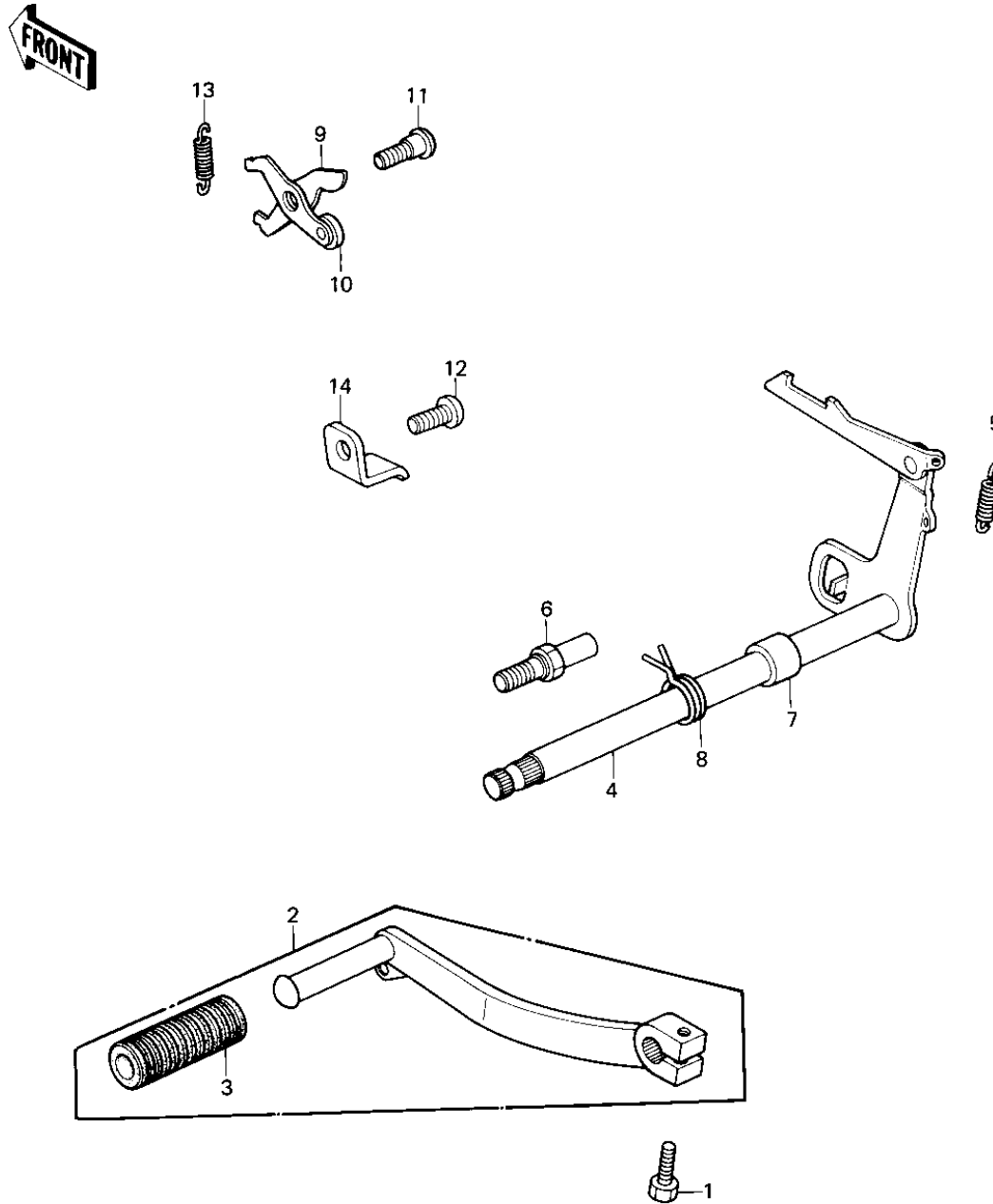


1980 KE175

PARTS DIAGRAM

GEAR CHANGE MECHANISM ('80-'81 KE175-D2/



1980 KE175

PARTS LIST

GEAR CHANGE MECHANISM ('80-'81 KE175-D2/

ITEM NAME

PART NUMBER

QUANTITY
