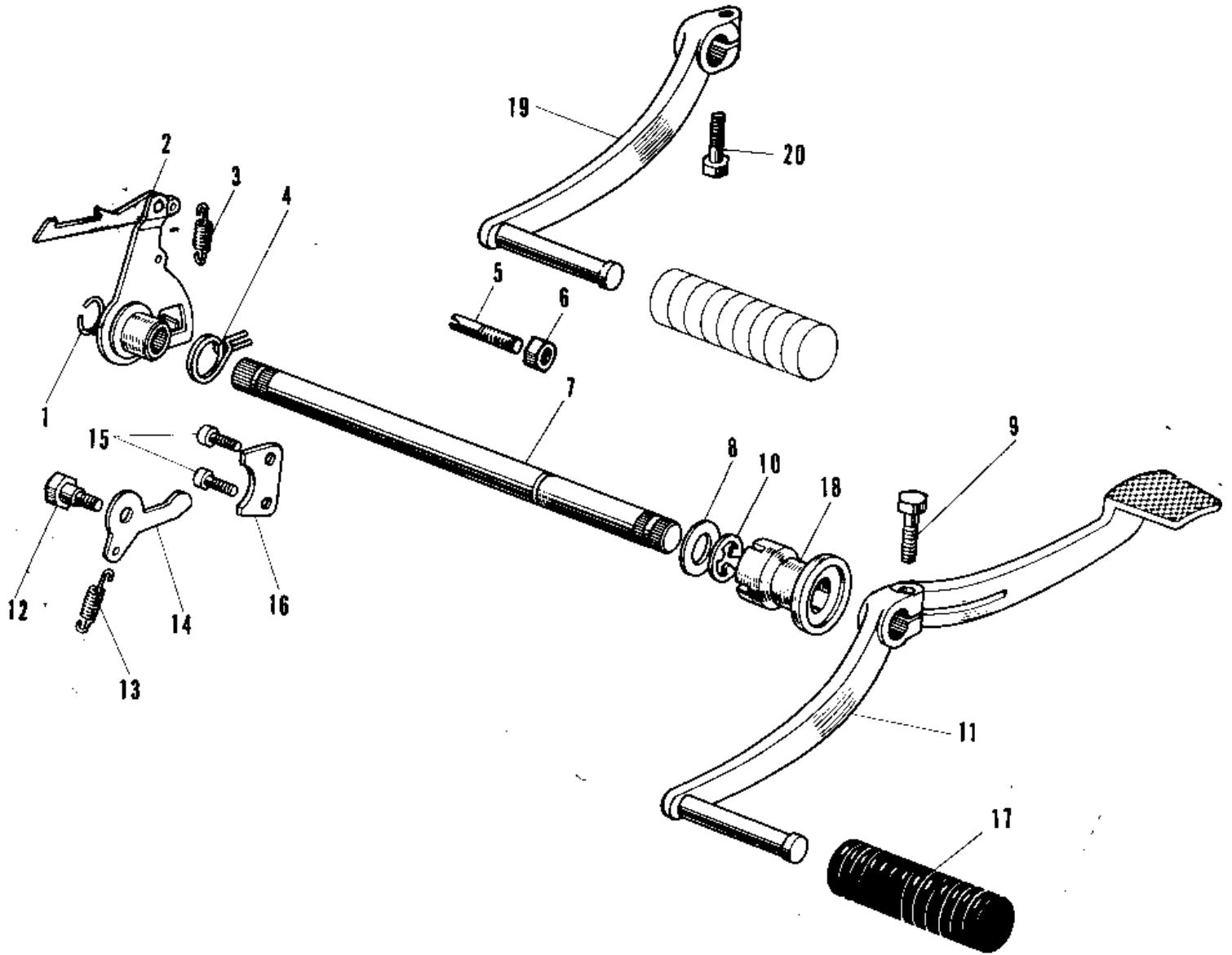


1968 Roadrunner

PARTS DIAGRAM

GEAR CHANGE MECHANISM



1968 Roadrunner

PARTS LIST

GEAR CHANGE MECHANISM

ITEM NAME	PART NUMBER	QUANTITY
CIRCLIP 10MM (Ref # 1)	92033-002	1
LEVER ASSY GEAR CHNG (Ref # 2)	13161-005	1
SPRING,CHANGE LEVER (Ref # 3)	92144-1720	1
SPRING,TENTION (Ref # 4)	92081-1129	1
BOLT,RETURN SPRING (Ref # 5)	92001-1401	1
NUT 8MM (Ref # 6)	312B0800	1
SHAFT GEAR CHNG PEDAL (Ref # 7)	13167-004	1
WASER 12MM (Ref # 8)	92022-003	1
BOLT-UPSET (Ref # 9)	112G0625	1
CIRCLIP 10MM (Ref # 10)	482J0100	1
PEDAL GEAR CHANGE (Ref # 11)	13156-015	1
BOLT,CHANGE DRUM LEVE (Ref # 12)	92150-1450	1
SPRING CHNG DRUM LEV (Ref # 13)	92081-051	1
LEVER GEAR CHNG DRUM (Ref # 14)	13168-004	1
SCREW PAN HEAD 6X14 (Ref # 15)	220B0614	2
PLATE CHNG DRUM PSTN (Ref # 16)	13169-002	1
RUBBER CHANGE PEDAL (Ref # 17)	13157-004	1
DUST SHIELD CHNG PEDL (Ref # 18)	13171-001	1
PEDAL GEAR CHANGE (Ref # 19)	13156-016	
BOLT-UPSET,6X20 (Ref # 20)	112G0620	