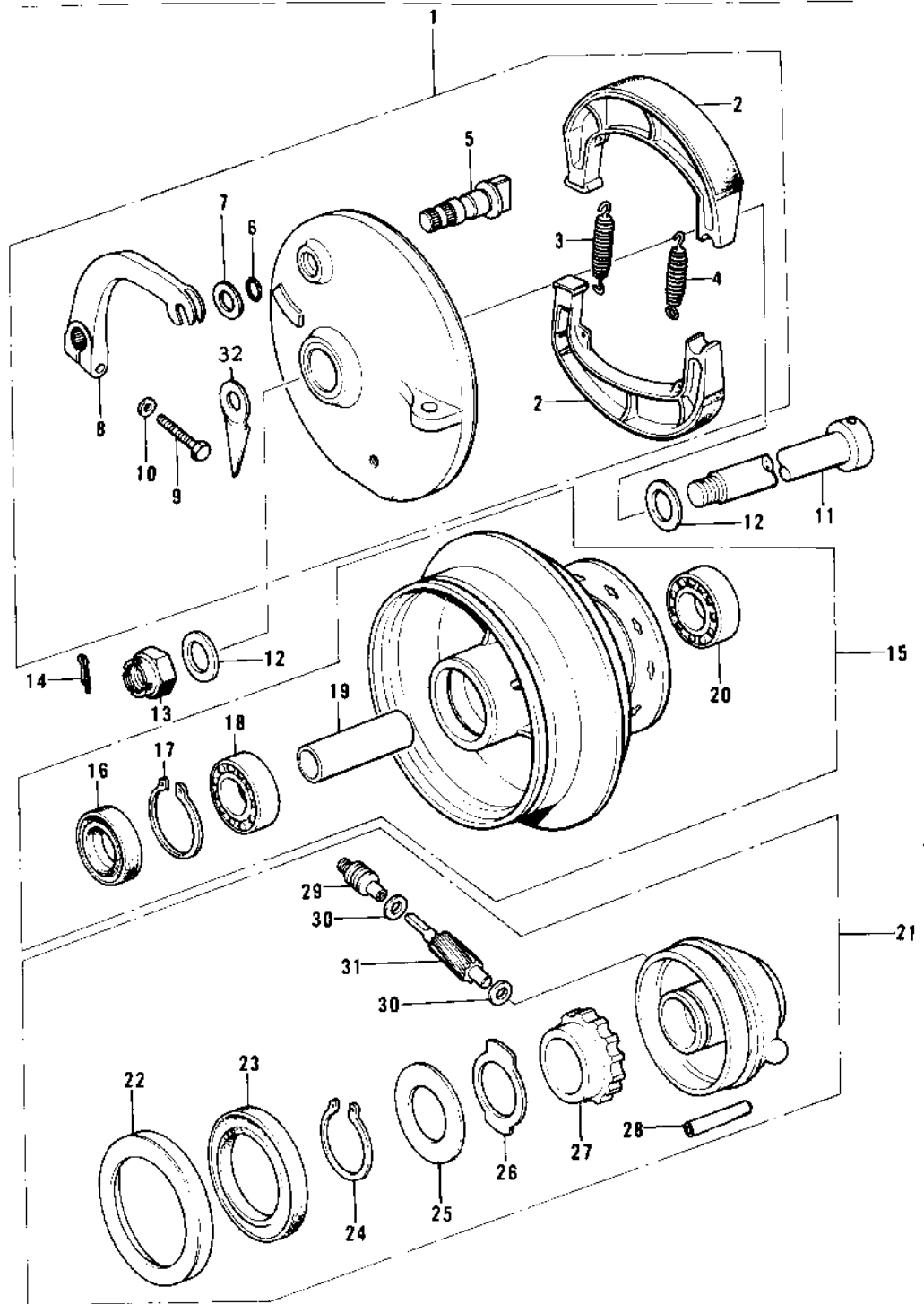


# 1976 Trial

## PARTS DIAGRAM

### FRONT HUB/BRAKE



# 1976 Trial

## PARTS LIST FRONT HUB/BRAKE

**ITEM NAME**

**PART NUMBER**

**QUANTITY**

---