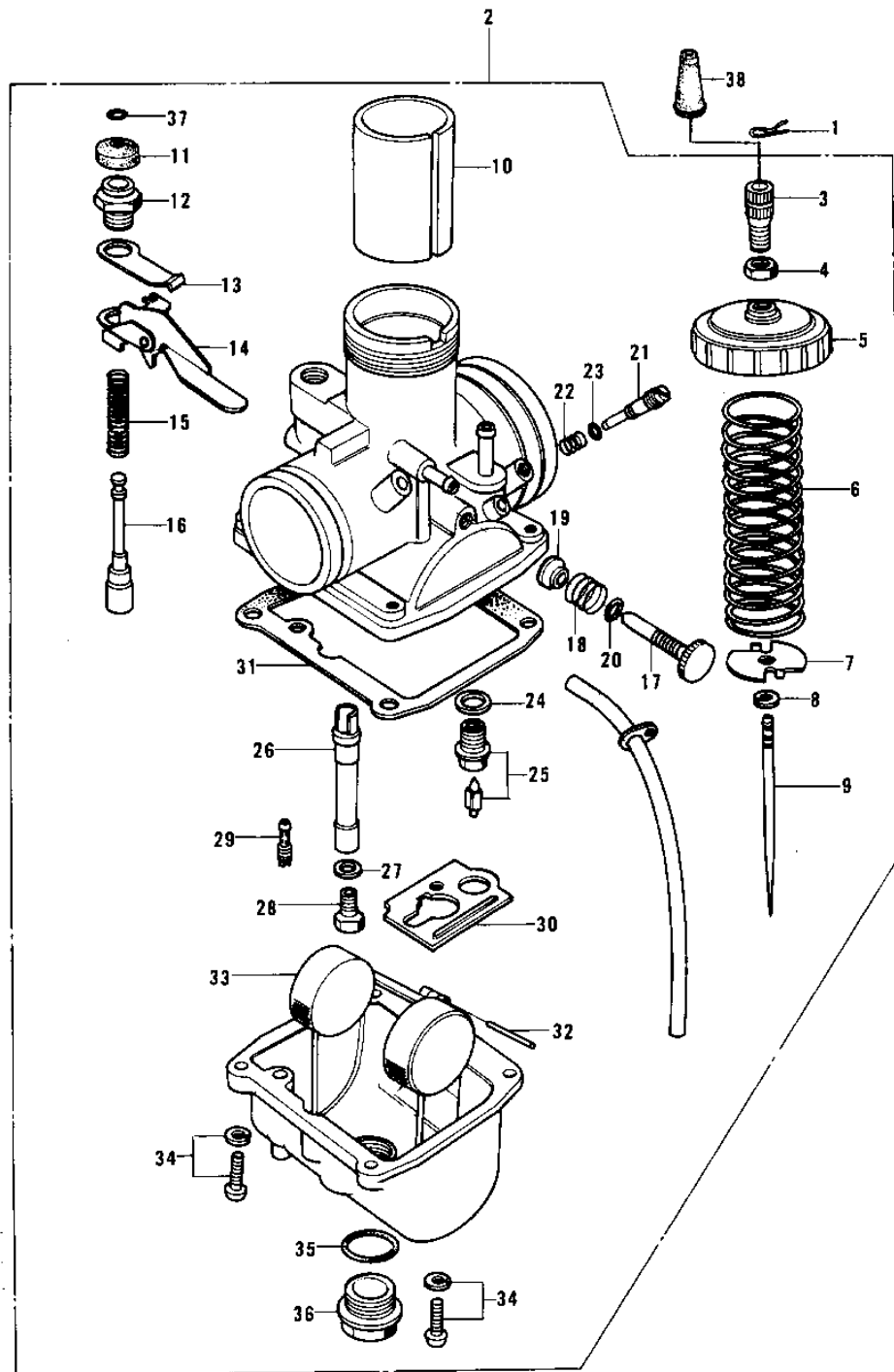


# 1976 Trial

## PARTS DIAGRAM

### CARBURETOR



# 1976 Trial

## PARTS LIST CARBURETOR

**ITEM NAME**

**PART NUMBER**

**QUANTITY**

---