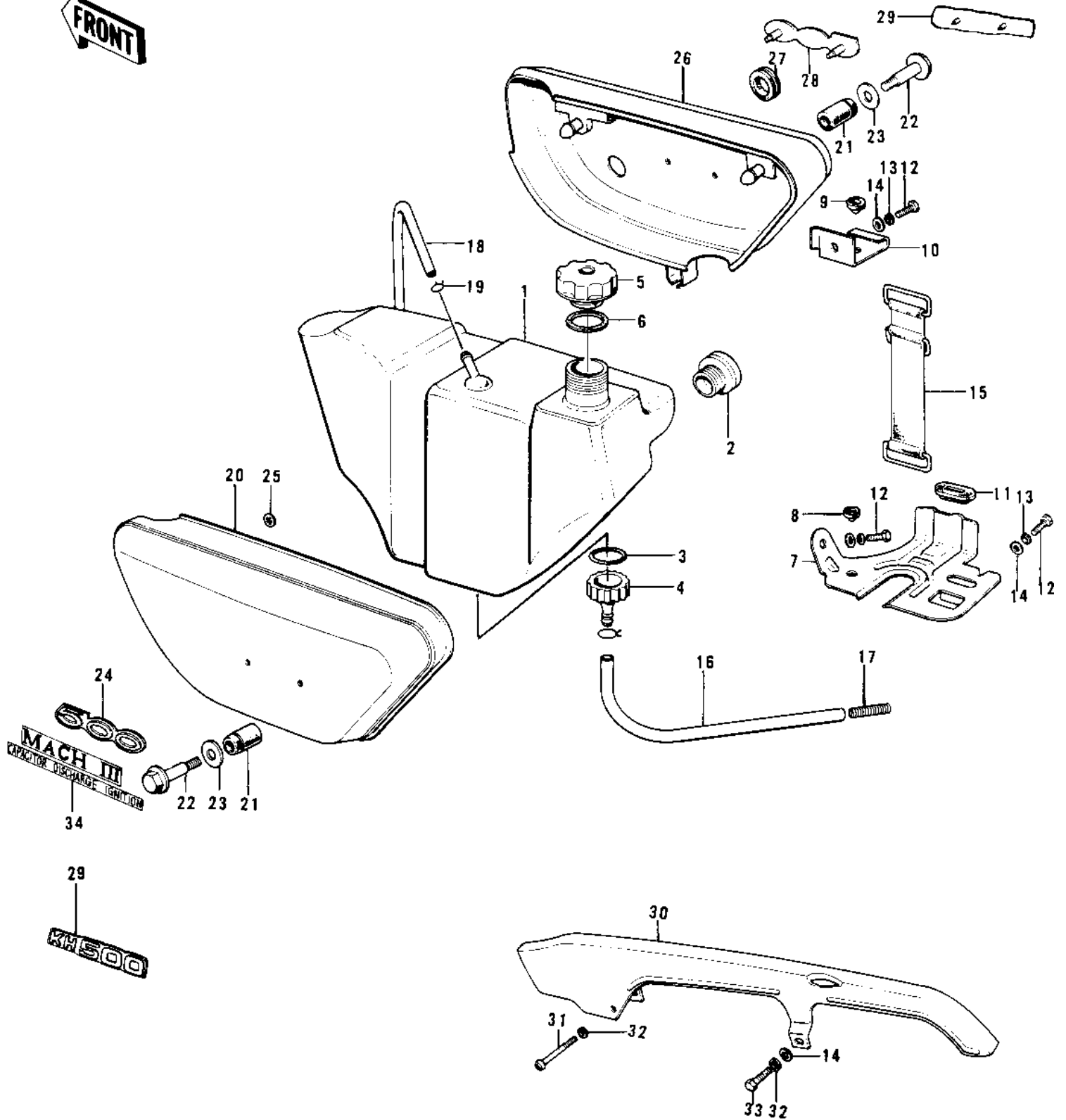


1969 Mach III

PARTS DIAGRAM

SIDE COVERS/OIL TANK/CHAIN COVER ('73-'7)



1969 Mach III

PARTS LIST

SIDE COVERS/OIL TANK/CHAIN COVER ('73-'7

ITEM NAME	PART NUMBER	QUANTITY
-----------	-------------	----------
