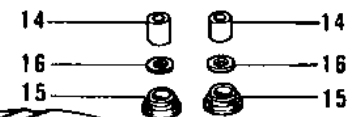
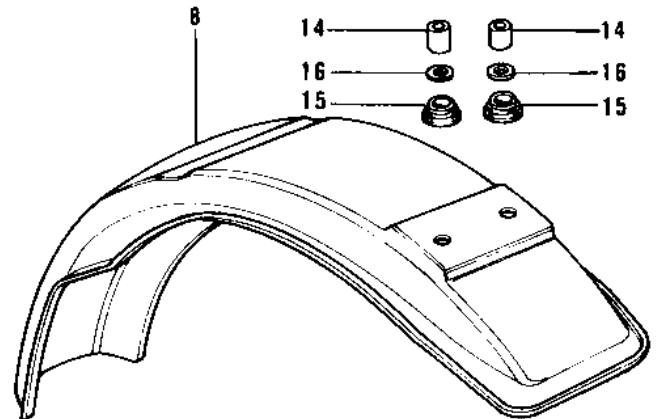
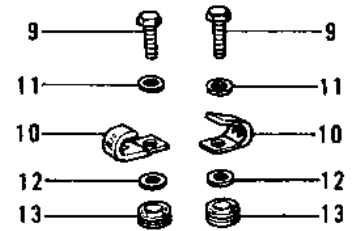
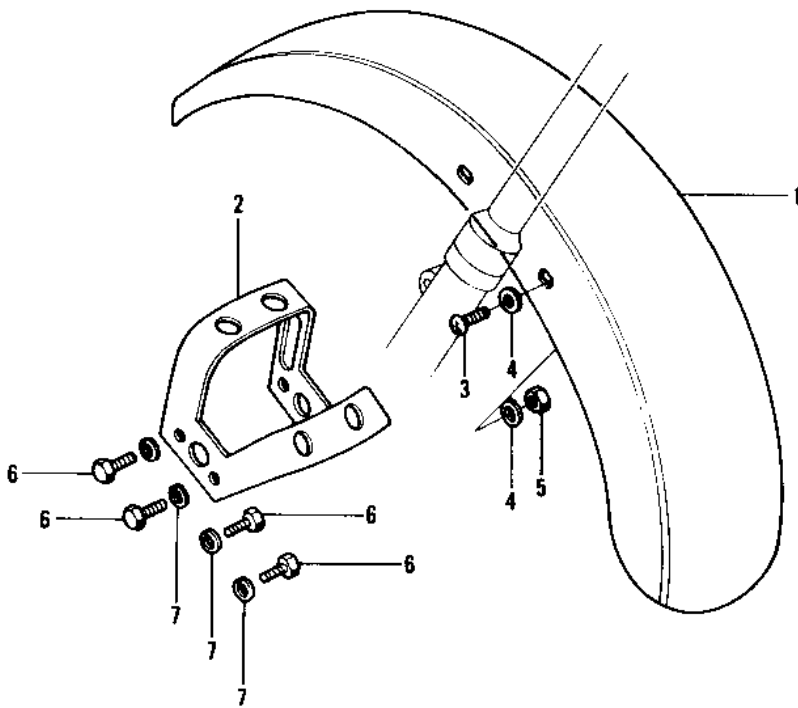


1970 Mach III

PARTS DIAGRAM

FENDERS ('73-'75 D/E/F & '76 A8)



1970 Mach III

PARTS LIST

FENDERS ('73-'75 D/E/F & '76 A8)

ITEM NAME	PART NUMBER	QUANTITY
FENDER-FR (Ref # 1)	35004-076	1
FENDER-FR (Ref # 1)	35004-085	1
BRACE-FRONT FENDER (Ref # 2)	35009-025	1
BRACE,FRONT FENDER (Ref # 2)	35009-029	1
SCREW PAN HEAD 6X14 (Ref # 3)	220E0614	4
WASHER PLAIN 6MM (Ref # 4)	411B0600	8
NUT (Ref # 5)	92019-008	4
BOLT-SMALL-UPSET,8X16 (Ref # 6)	115G0816	4
WASHER SPRING 8MM (Ref # 7)	461F0800	4
FENDER-RR (Ref # 8)	35022-076	1
BOLT-HEX HEAD,6X32 (Ref # 9)	110N0632	2
CLAMP,HARNESS (Ref # 10)	92037-113	2
WASHER PLAIN 6MM (Ref # 11)	411B0600	2
WASHER,PLAIN,7MM (Ref # 12)	92022-228	2
DAMPER RUBBER,RR FEND (Ref # 13)	92075-121	2
COLLAR,REAR FENDER (Ref # 14)	92027-162	2
DAMPER RUBBER,RR FEND (Ref # 15)	92075-133	2
WASHER,PLAIN,7MM (Ref # 16)	92022-227	2
WASHER SPRING 6MM (Ref # 17)	461F0600	2
NUT 6MM (Ref # 18)	311B0600	2