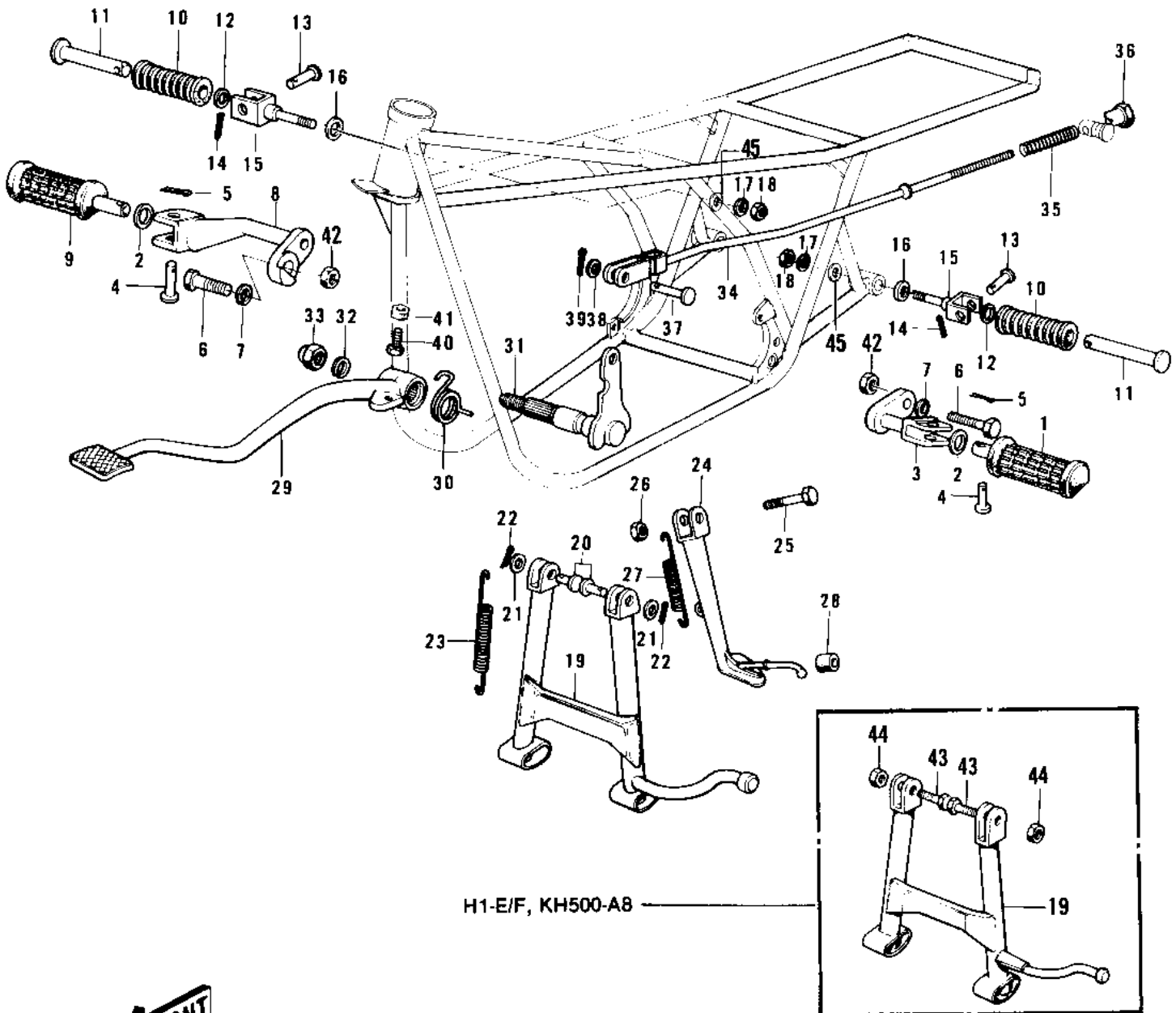


# 1976 KH500-A8

## PARTS DIAGRAM

### FOOTRESTS/STANDS/BRAKE PEDAL ('73-'75 D/



H1-E/F, KH500-A8



# 1976 KH500-A8

## PARTS LIST

### FOOTRESTS/STANDS/BRAKE PEDAL ('73-'75 D/

ITEM NAME	PART NUMBER	QUANTITY
BAR-FOOTREST,L.H (Ref # 1)	34028-011	1
WASHER PL 22.5X36X2.3 (Ref # 2)	92022-204	2
BRACKET,FOTRST BAR,LH (Ref # 3)	34003-038	1
PIN-FOOTREST BAR FIT (Ref # 4)	92043-080	2
PIN,COTTER,2.5X15 (Ref # 5)	550D2515	2
BOLT HEX HEAD 12X40 (Ref # 6)	113G1240	2
BOLT,HEX HEAD,12X56 (Ref # 6)	92003-165	2
WASHER SPRING 12MM (Ref # 7)	461F1200	2
BRACKET,FOTRST BAR,RH (Ref # 8)	34003-039	1
BAR-FOOTREST,R.H (Ref # 9)	34028-012	1
RUBBER,REAR FOOTREST (Ref # 10)	92076-024	2
BAR-RR FOOTREST (OPT) (Ref # 11)	34028-009	2
WASHER-PLAIN (OPT) (Ref # 12)	92022-199	2
PIN (Ref # 13)	92043-1464	2
PIN COTTER 2.0X15 (Ref # 14)	550D2015	2
PIN,COTTER,2.0X12 (Ref # 14)	550D2012	2
HOLDER-STEP RR (Ref # 15)	34029-008	2
BRACKET,REAR FOOTREST (Ref # 15)	34029-011	2
SPACER (Ref # 16)	92026-074	2
WASHER CYL HEAD BOLT (Ref # 16)	92022-099	2
WASHER SPRING 10MM (Ref # 17)	461F1000	2
NUT,10MM (Ref # 18)	314B1000	2
STAND-MAIN (Ref # 19)	34011-034	1
STAND-MAIN (Ref # 19)	34011-034	1
PIN JOINT (Ref # 20)	92043-041	2
WASHER PLAIN 12MM (Ref # 21)	410B1200	2
PIN COTTER 2.5X25 (Ref # 22)	550D2525	2
SPRING-MAIN STAND (Ref # 23)	34023-010	1
SPRING,MAIN STAND (Ref # 23)	34023-016	1

# 1976 KH500-A8

## PARTS LIST

### FOOTRESTS/STANDS/BRAKE PEDAL ('73-'75 D/

ITEM NAME	PART NUMBER	QUANTITY
STAND-SIDE (Ref # 24)	34024-039	1
BOLT-SIDE STAND (Ref # 25)	92003-079	1
NUT,10MM (Ref # 26)	314B1000	1
SPRING MAIN STAND (Ref # 27)	34023-005	1
DAMPER RUBB SIDE STND (Ref # 28)	92075-031	1
PEDAL,BRAKE (Ref # 29)	43001-047	1
SPRING,BRAKE PEDAL (Ref # 30)	43005-022	1
SHAFT,BRAKE PEDAL (Ref # 31)	43004-011	1
WASHER PLAIN 8MM (Ref # 32)	411B0800	1
NUT,CAP AND LOCK,8MM (Ref # 33)	92019-013	1
ROD,BRAKE (Ref # 34)	43011-016	1
SPRING,BRAKE ROD (Ref # 35)	43012-001	1
NUT-BRAKE ROD ADJUST (Ref # 36)	92015-042	1
PIN-BRAKE ROD FITTING (Ref # 37)	92043-064	1
WASHER PLAIN 6MM (Ref # 38)	410B0600	1
PIN COTTER 2.0X15 (Ref # 39)	550D2015	1
BOLT-UPSET,6X20 (Ref # 40)	112G0620	1
NUT 6MM (Ref # 41)	311B0600	1
NUT,12MM (Ref # 42)	314G1200A	2
BOLT,HEX HEAD,12X32 (Ref # 43)	92003-150	2
NUT-LOCK,12MM (Ref # 44)	92019-009	2
WASHER PLAIN 10MM (Ref # 45)	410B1000	2