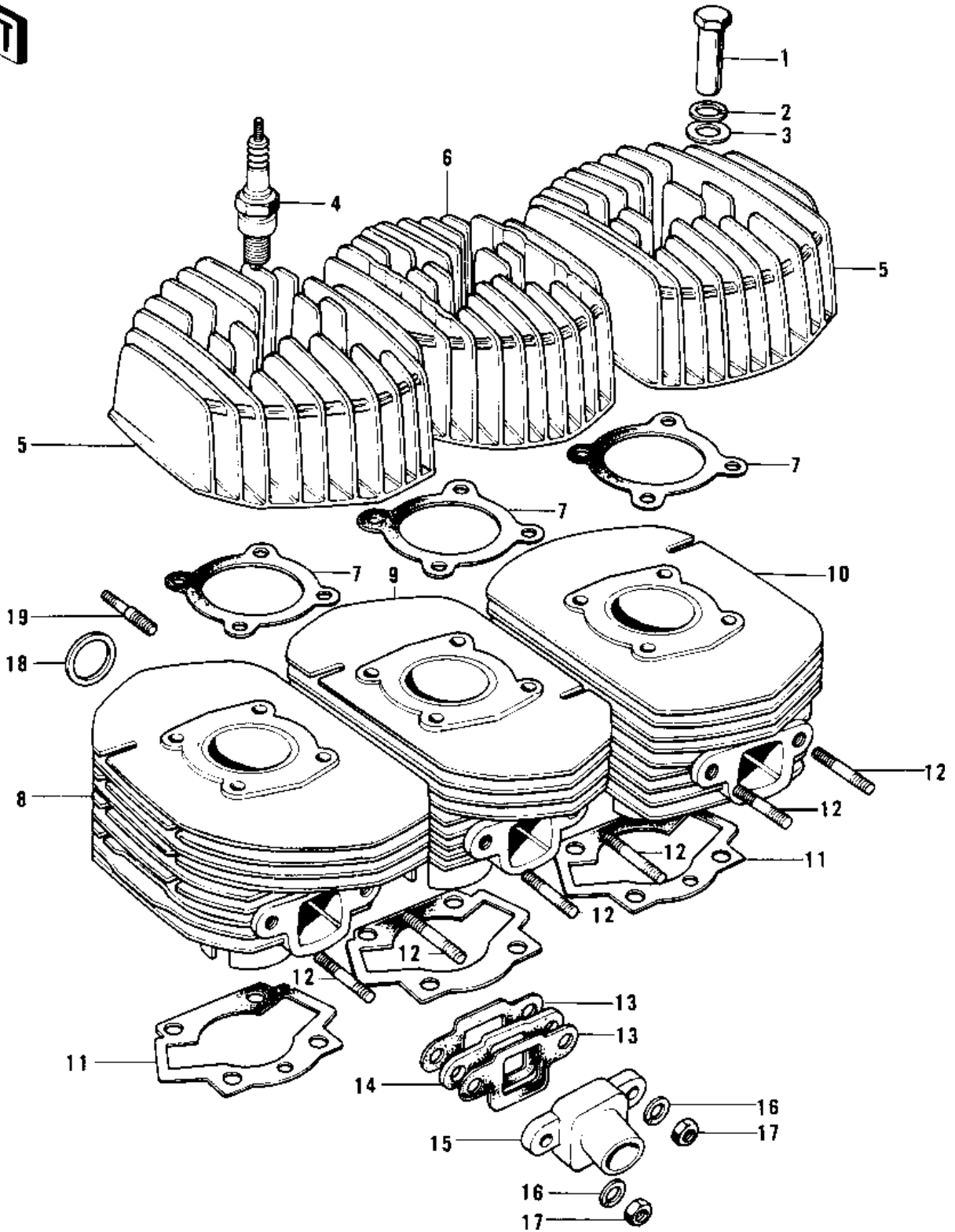


# 1969 Mach III

## PARTS DIAGRAM

### CYLINDER HEADS/CYLINDERS ('73-'75 D/E/F)



# 1969 Mach III

## PARTS LIST

CYLINDER HEADS/CYLINDERS ('73-'75 D/E/F)

**ITEM NAME**

**PART NUMBER**

**QUANTITY**

---