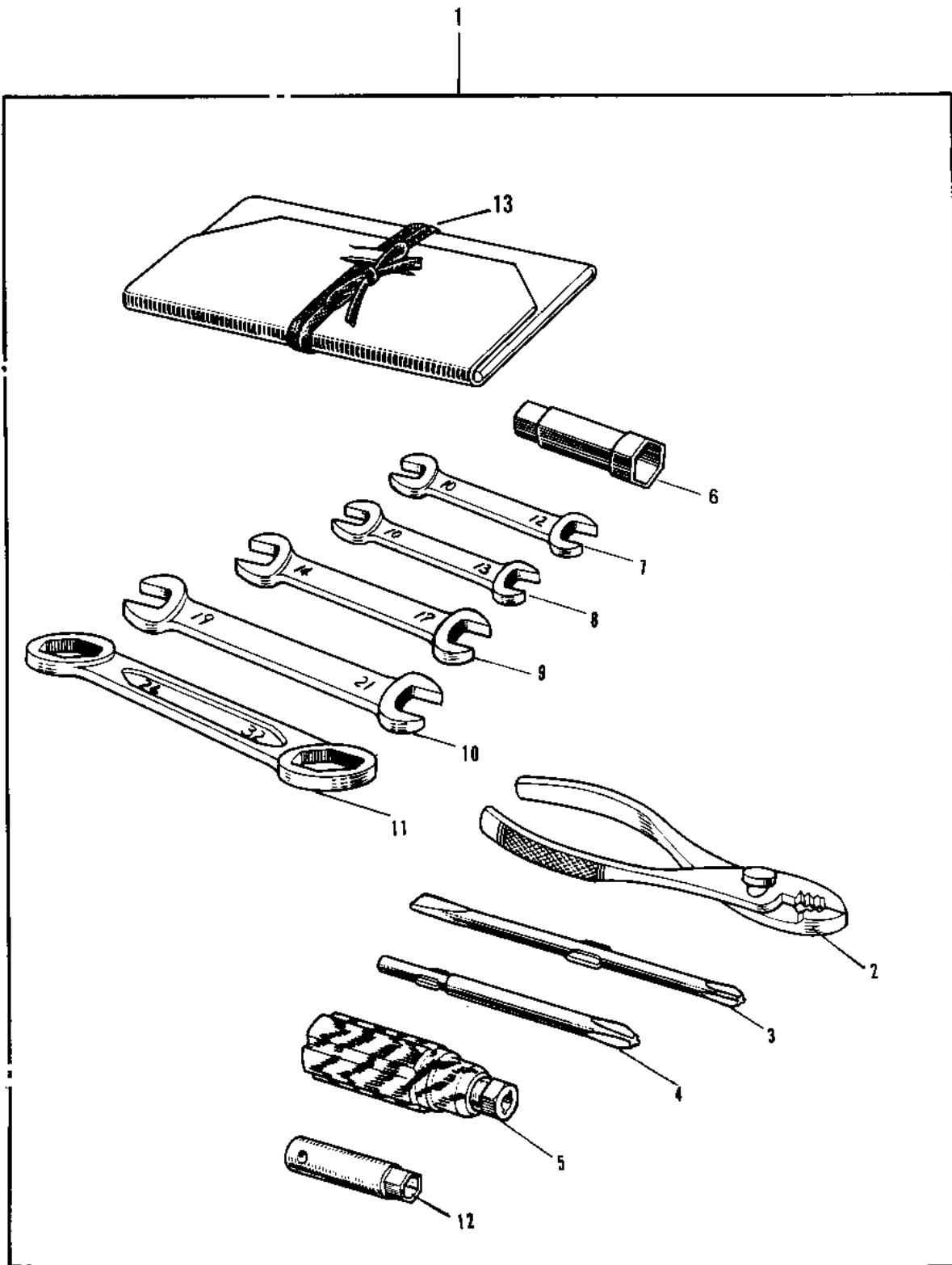


# 1970 Mach III

## PARTS DIAGRAM

### OWNER TOOLS ('69-'72 H1/A/B/C)



# 1970 Mach III

## PARTS LIST

### OWNER TOOLS ('69-'72 H1/A/B/C)

ITEM NAME	PART NUMBER	QUANTITY
UNAVAILABLE IN PRICE BOOK (Ref # 1)	56007-017	1
92112-003 (Canada) (Ref # 2)	92112-001	1
TOOL-DRIVER (Ref # 3)	92107-1052	1
SCREW DRIVER #3 PHILIP (Ref # 4)	92107-005	1
92106-1001 (Canada) (Ref # 5)	92106-002	1
92110-012 (Canada) (Ref # 6)	92110-008	1
UNAVAILABLE IN PRICE BOOK (Ref # 7)	960B1012	1
UNAVAILABLE IN PRICE BOOK (Ref # 8)	960B1013	1
UNAVAILABLE IN PRICE BOOK (Ref # 9)	960B1417	1
UNAVAILABLE IN PRICE BOOK (Ref # 10)	960B1921	1
WRENCH BOX 24X32 (Ref # 11)	92109-002	1
WRENCH BOX 10MM (Ref # 12)	92110-007	1
BAG,TOOL (Ref # 13)	56008-008	1