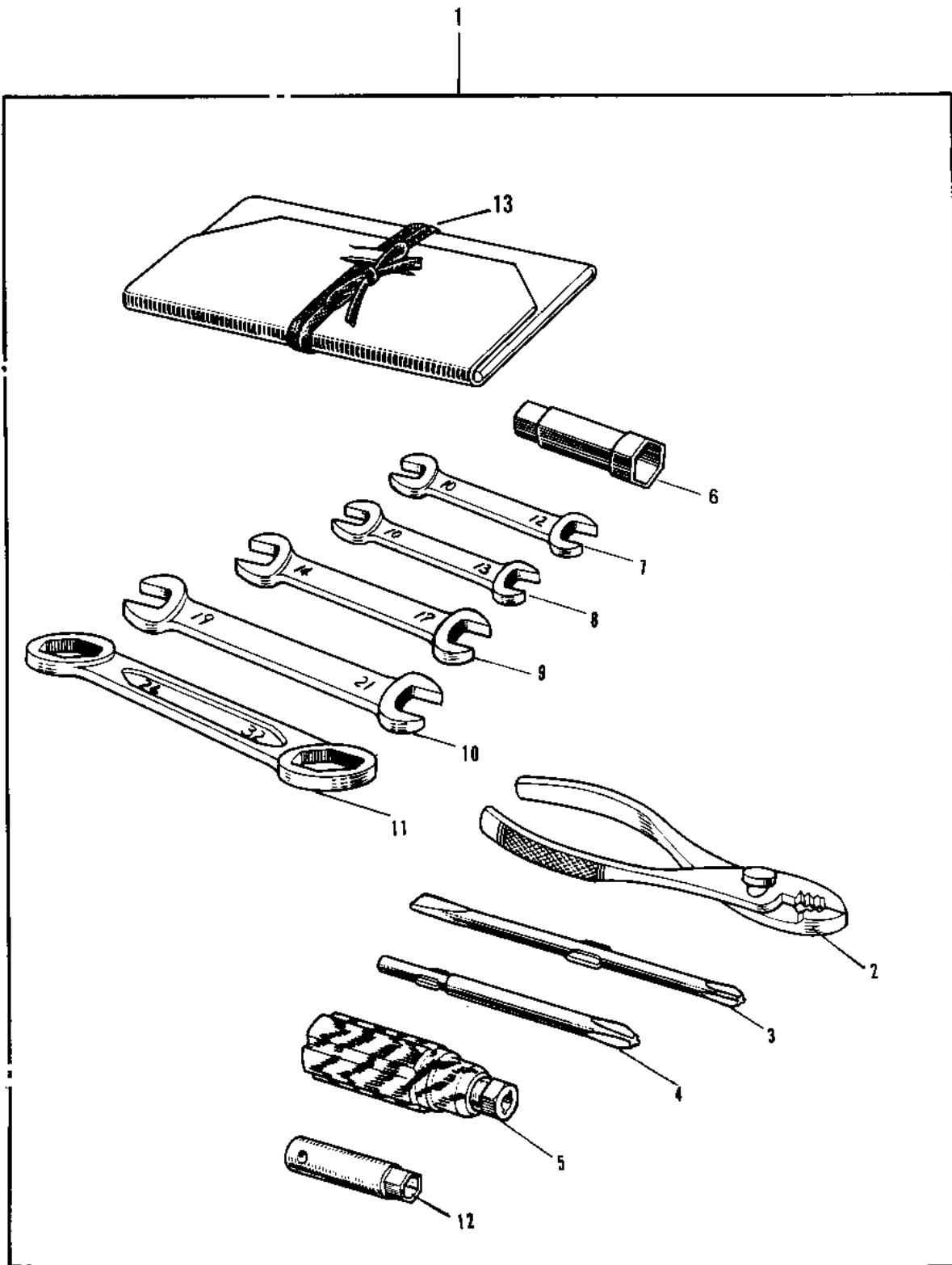


1969 Mach III

PARTS DIAGRAM

OWNER TOOLS ('69-'72 H1/A/B/C)



1969 Mach III

PARTS LIST

OWNER TOOLS ('69-'72 H1/A/B/C)

ITEM NAME

PART NUMBER

QUANTITY
