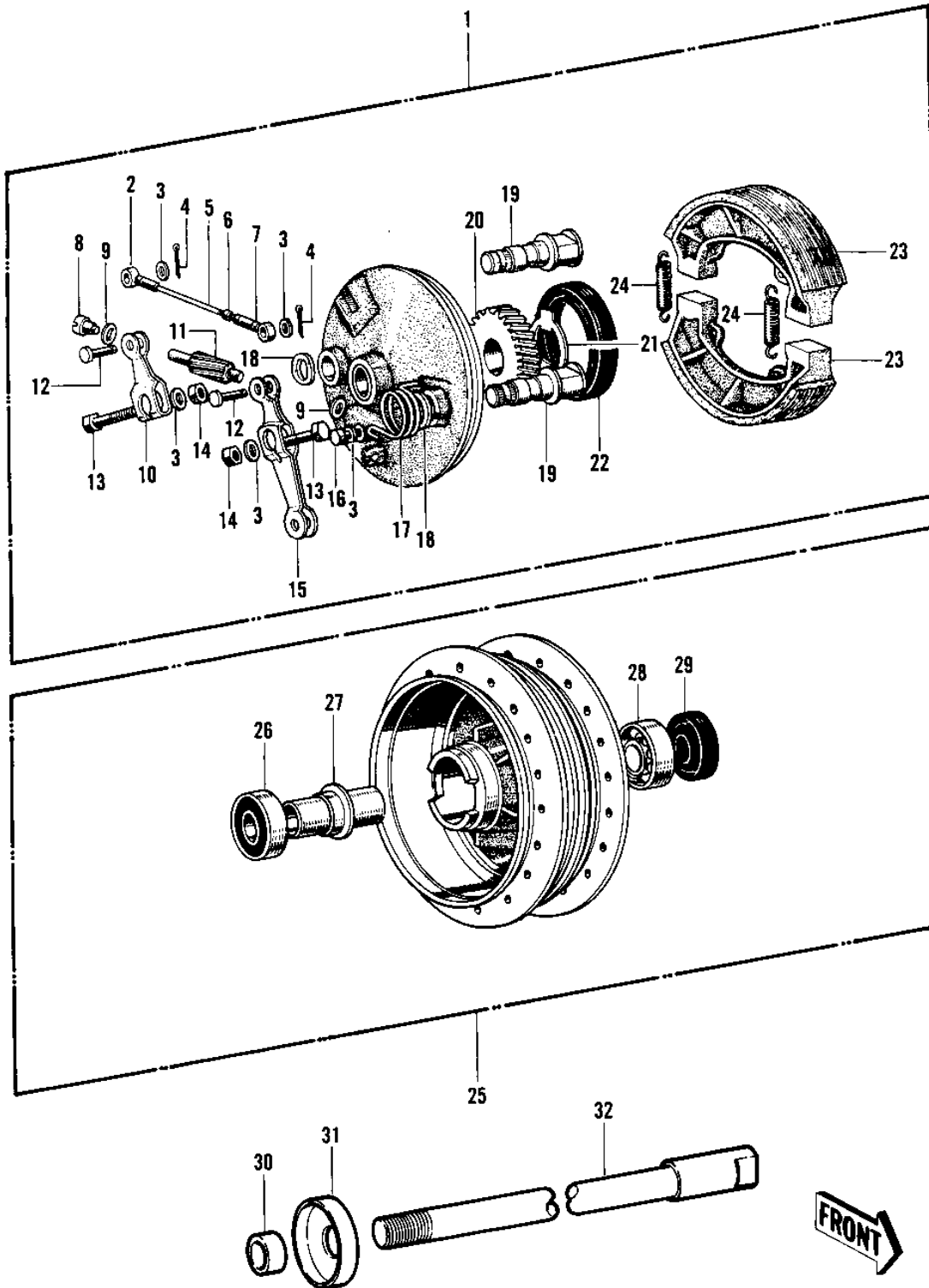


1976 KH500-A8

PARTS DIAGRAM

FRONT HUB/BRAKE (H1/A/C)



(H1/

1976 KH500-A8

PARTS LIST

FRONT HUB/BRAKE (H1/A/C)

ITEM NAME	PART NUMBER	QUANTITY
PANEL-ASY,FR BRK (Ref # 1)	41035-018	1
ROD END,BRK CONNECT (Ref # 2)	41058-009	1
ROD END,BRK CONNECT (Ref # 2)	41058-009	1
WASHER PLAIN 6MM (Ref # 3)	411B0600	5
PIN COTTER 1.2X10 (Ref # 4)	550D1210	2
ROD BRK CAM LEV CONCT (Ref # 5)	41057-011	1
NUT,5MM (Ref # 6)	311B0500	1
ROD END,BRK CONNECT (Ref # 7)	41058-008	1
ROD END,BRK CONNECT (Ref # 7)	41058-008	1
BUSH SPEDMETER PINION (Ref # 8)	41062-003	1
WASHER PINION THRUST (Ref # 9)	41063-003	2
LEVER FRT BRK CAM 2ND (Ref # 10)	41053-012	1
PINION SPEEDOMETER (Ref # 11)	41060-009	1
PIN BRAKE CONNECT ROD (Ref # 12)	41055-003	2
BOLT-UPSET (Ref # 13)	112G0630	2
NUT 6MM (Ref # 14)	311B0600	2
LEVER FRT BRK CAM 1ST (Ref # 15)	41053-011	1
BOLT-UPSET (Ref # 16)	112G0618	1
SPRING BRAKE CAM LEV (Ref # 17)	41056-003	1
DUST SHIELD BRAKE CAM (Ref # 18)	41051-001	2
CAM SHAFT FRONT BRAKE (Ref # 19)	41050-007	2
GEAR SPEEDOMETER (Ref # 20)	41059-010	1
RECIEVER SPEED GEAR (Ref # 21)	41064-005	1
OIL SEAL (Ref # 22)	92050-026	1
SHOE BRAKE (Ref # 23)	41048-007	2
SPRING,BRAKE SHOE (Ref # 24)	41049-012	2
DRUM-ASSY,FR BRK (Ref # 25)	41034-013	1
BEARING BALL #6303Z (Ref # 26)	601B6303Z	1
SPACER FR HUB BEARING (Ref # 27)	41039-015	1

1976 KH500-A8

PARTS LIST

FRONT HUB/BRAKE (H1/A/C)

ITEM NAME	PART NUMBER	QUANTITY
UNAVAILABLE IN PRICE BOOK (Ref # 28)	601-B6303	1
OIL SEAL FRONT AXLE (Ref # 29)	654A254708	1
COLLAR AXLE OIL SEAL (Ref # 30)	41069-009	1
DUST SHIELD FRONT HUB (Ref # 31)	41042-005	1
AXLE FRONT (Ref # 32)	41068-020	1