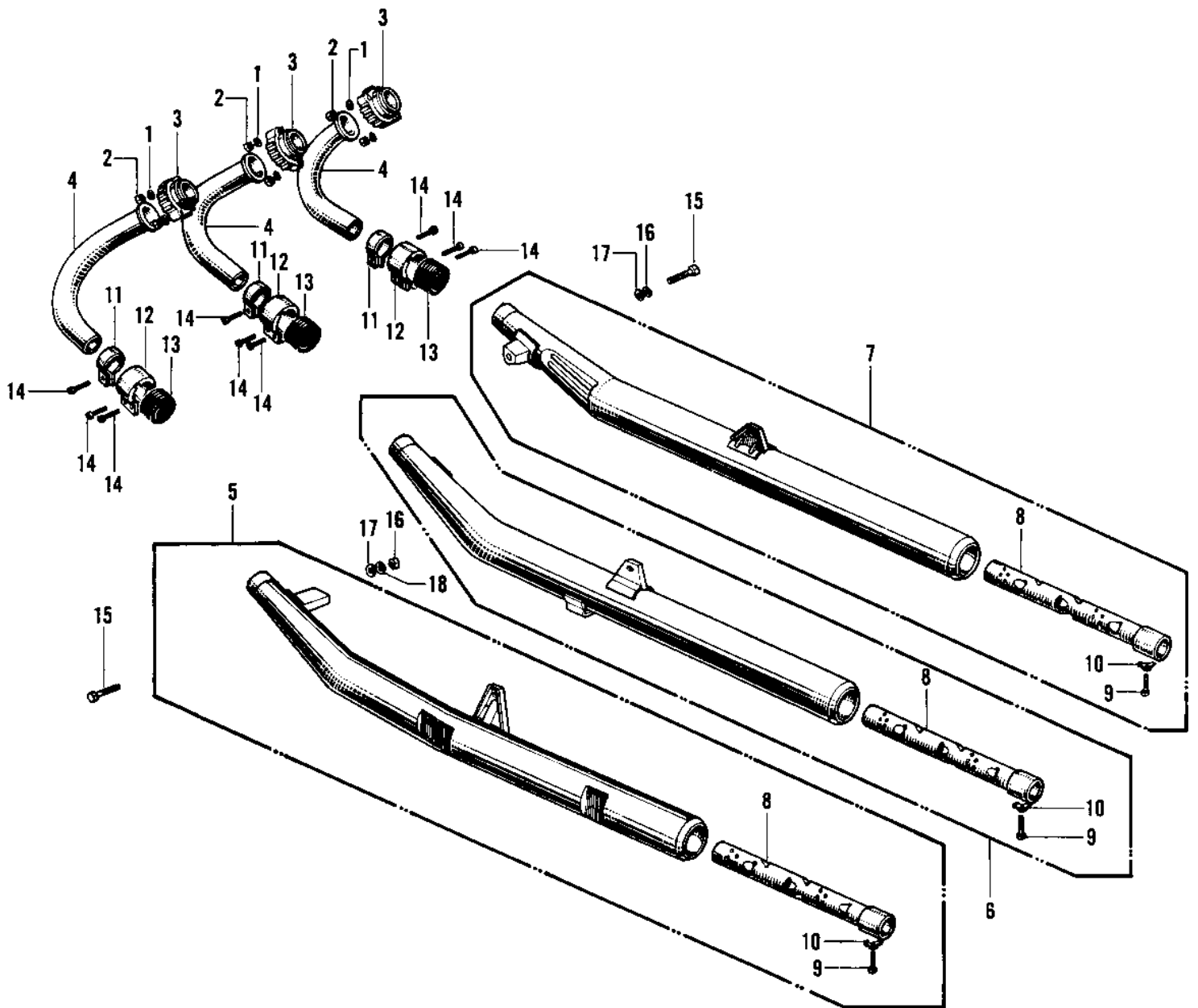


1970 Mach III

PARTS DIAGRAM

MUFFLERS ('69-'72 H1/A/B/C)



1970 Mach III

PARTS LIST

MUFFLERS ('69-'72 H1/A/B/C)

| ITEM NAME | PART NUMBER | QUANTITY |
|----------------------------------|-------------|----------|
| WASHER SPRING 6MM (Ref # 1) | 461F0600 | 6 |
| NUT 6MM (Ref # 2) | 311B0600 | 6 |
| HOLDER EXHAUST PIPE (Ref # 3) | 18069-024 | 3 |
| PIPE EXHAUST (Ref # 4) | 18049-050 | 3 |
| MUFFLER ASSY,L.H. (Ref # 5) | 18001-063 | 1 |
| MUFFLER ASSY,L.H. (Ref # 5) | 18001-063 | 1 |
| MUFFLER ASSY (Ref # 6) | 18001-023 | 1 |
| MUFFLER ASSY,CENTER (Ref # 6) | 18001-064 | 1 |
| MUFFLER ASSY (Ref # 7) | 18001-024 | 1 |
| MUFFLER ASSY,R.H. (Ref # 7) | 18001-065 | 1 |
| BAFFLE TUBE (Ref # 8) | 18033-027 | 3 |
| BAFFLE TUBE (Ref # 8) | 18033-051 | 3 |
| BOLT-UPSET,6X12 (Ref # 9) | 112G0612 | 3 |
| WASHER LOCK 6MM (Ref # 10) | 92024-016 | 3 |
| HOLDER MUFFLER CONECT (Ref # 11) | 18044-007 | 3 |
| HOLDER MUFFLER CONECT (Ref # 12) | 18044-006 | 3 |
| CONNECTOR MUFFLER (Ref # 13) | 18043-010 | 3 |
| SCREW PAN HEAD 6X25 (Ref # 14) | 220B0625 | 9 |
| BOLT,8X20 (Ref # 15) | 115G0820 | 2 |
| WASHER SPRING 8MM (Ref # 16) | 461F0800 | 2 |
| WASHER PLAIN 8MM (Ref # 17) | 411B0800 | 2 |
| NUT,8MM (Ref # 18) | 311B0800 | 1 |