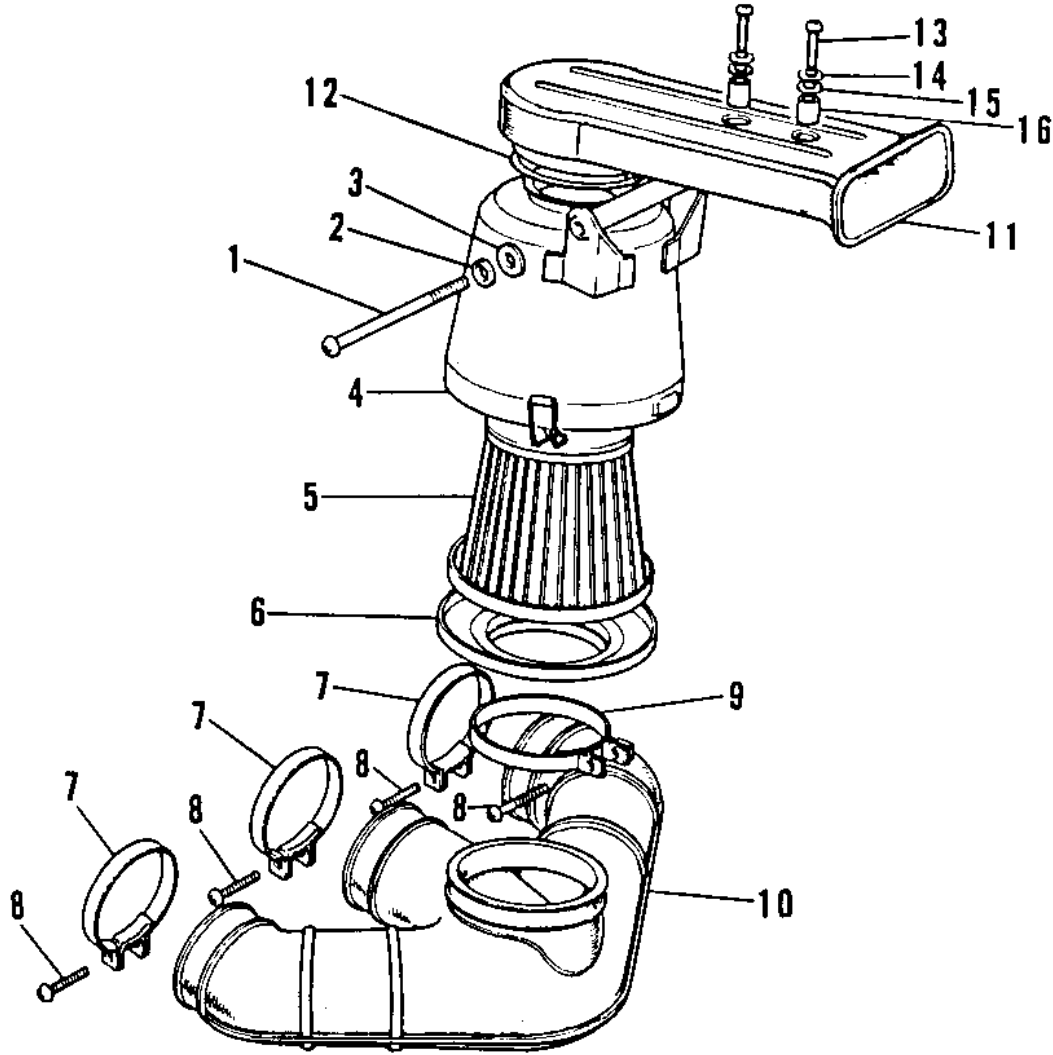


1970 Mach III

PARTS DIAGRAM AIR CLEANER (H1-B)



(H1-

1970 Mach III

PARTS LIST

AIR CLEANER (H1-B)

ITEM NAME	PART NUMBER	QUANTITY
SCREW PAN HEAD 6X110 (Ref # 1)	220B06110	1
WASHER SPRING 6MM (Ref # 2)	461F0600	1
WASHER PLAIN 6MM (Ref # 3)	411B0600	1
AIR CLEANER ASY,BLACK (Ref # 4)	11010-058-21	1
ELEMENT,AIR CLNR (Ref # 5)	11013-019	1
CAP AIR CLEANER (Ref # 6)	11012-011	1
CLAMP AIR CLEANER (Ref # 7)	92037-034	3
SCREW PAN HEAD 6X35 (Ref # 8)	220B0635	3
CLAMP,AIR CLEANER (Ref # 9)	92037-128	1
PIPE ASSY-INLET (Ref # 10)	11015-033	1
SILENCER-AIR CLEANER (Ref # 11)	11016-004	1
GASKET-INLET (Ref # 12)	11017-008	1
SCREW PAN HEAD 6X45 (Ref # 13)	220B0645	2
WASHER 6.5X20X1.6T (Ref # 14)	92022-125	2
DAMPER RUBBER (Ref # 15)	92075-118	2
COLLAR-SILENCER (Ref # 16)	92027-149	2