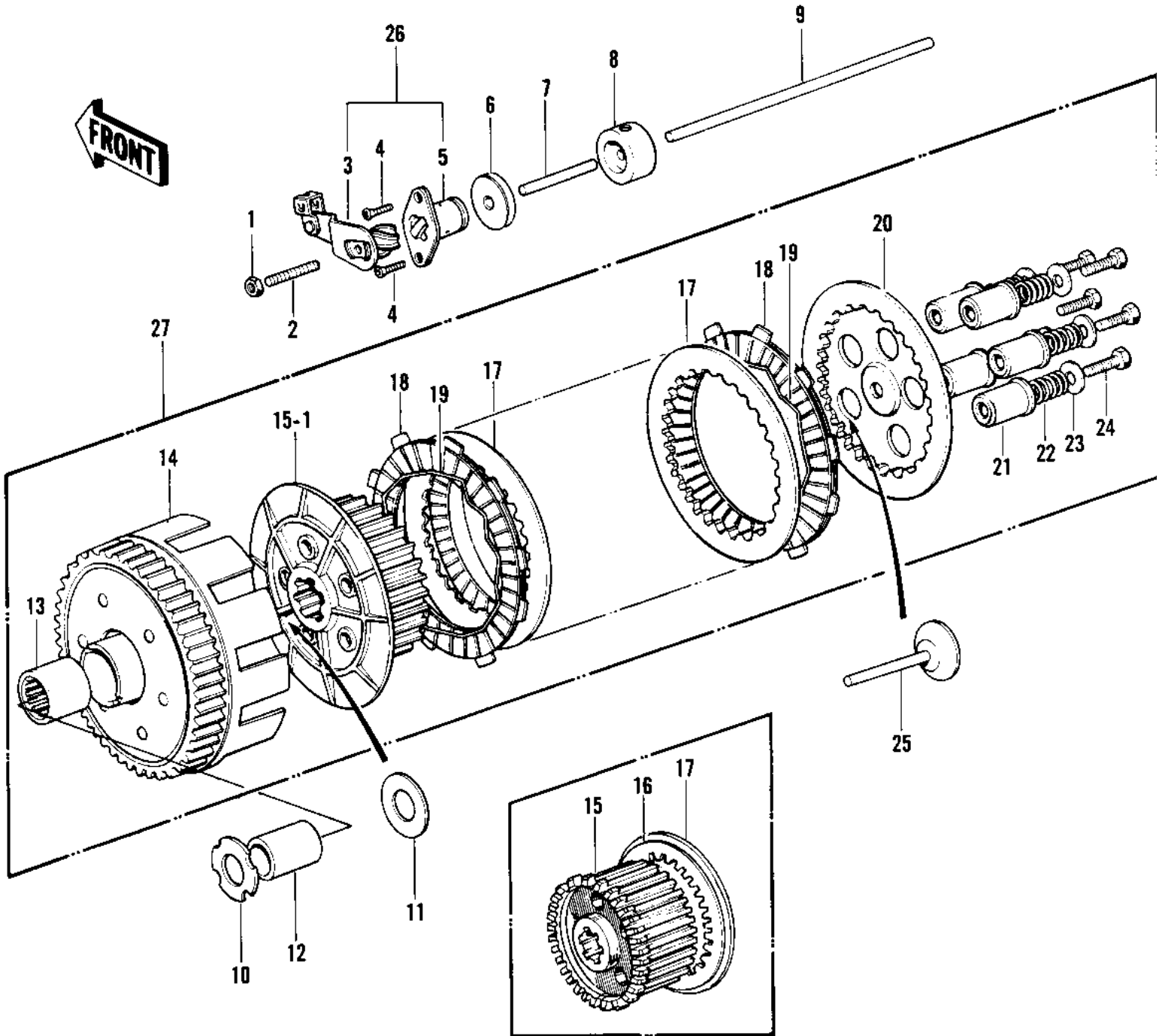


1970 Mach III

PARTS DIAGRAM

CLUTCH ('69-'72 H1/A/B/C)



1970 Mach III

PARTS LIST

CLUTCH ('69-'72 H1/A/B/C)

| ITEM NAME | PART NUMBER | QUANTITY |
|----------------------------------|-------------|----------|
| NUT 6MM (Ref # 1) | 311B0600 | 1 |
| SCREW SLOTTED (Ref # 2) | 291Z0622 | 1 |
| INNER,CLUTCH RELEASE (Ref # 3) | 13102-017 | 1 |
| SCREW CNTSNK HD 6X16 (Ref # 4) | 221B0616 | 2 |
| OUTER,CLUTCH RELEASE (Ref # 5) | 13118-008 | 1 |
| OIL SEAL SC7317 (Ref # 6) | 92050-025 | 1 |
| ROD CLUTCH PUSH SHORT (Ref # 7) | 13116-010 | 1 |
| BUSH CLUTCH PUSH ROD (Ref # 8) | 92028-070 | 1 |
| ROD CLUTCH PUSH LONG (Ref # 9) | 13116-009 | 1 |
| WASHER THRUST (Ref # 10) | 92022-119 | 1 |
| WASHER TH 25.5X47X2.5 (Ref # 11) | 92026-022 | 1 |
| BUSHING 25X30X34L (Ref # 12) | 92028-081 | 1 |
| BEARING NEEDLE (Ref # 13) | 92046-004 | 1 |
| HOUSING CLUTCH (Ref # 14) | 13095-018 | 1 |
| HUB-CLUTCH (Ref # 15) | 13087-030 | 1 |
| HUB-CLUTCH (Ref # 15-1) | 13087-030 | 1 |
| PLATE CLUTCH OUTER (Ref # 16) | 13090-011 | 1 |
| PLATE CLUTCH STEEL (Ref # 17) | 13089-013 | 8 |
| PLATE CLUTCH STEEL (Ref # 17) | 13089-013 | 6 |
| PLATE CLUTCH FRICTION (Ref # 18) | 13088-015 | 7 |
| PLATE CLUTCH FRICTION (Ref # 18) | 13088-015 | 7 |
| PLATE,CLUTCH FRICTION (Ref # 18) | 13088-1008 | 7 |
| RING-CLUTCH STEEL (Ref # 19) | 13229-003 | 7 |
| PLATE-CLUTCH SPRING (Ref # 20) | 13187-005 | 1 |
| GUIDE CLUTCH SPRING (Ref # 21) | 13092-005 | 5 |
| SPRING CLUTCH (Ref # 22) | 92081-042 | 5 |
| HOLDER CL SPG6.5X20X2 (Ref # 23) | 13091-009 | 5 |
| BOLT-UPSET (Ref # 24) | 112G0618 | 5 |
| PUSHER-CLTCH SPRG PLT (Ref # 25) | 13116-011 | 1 |