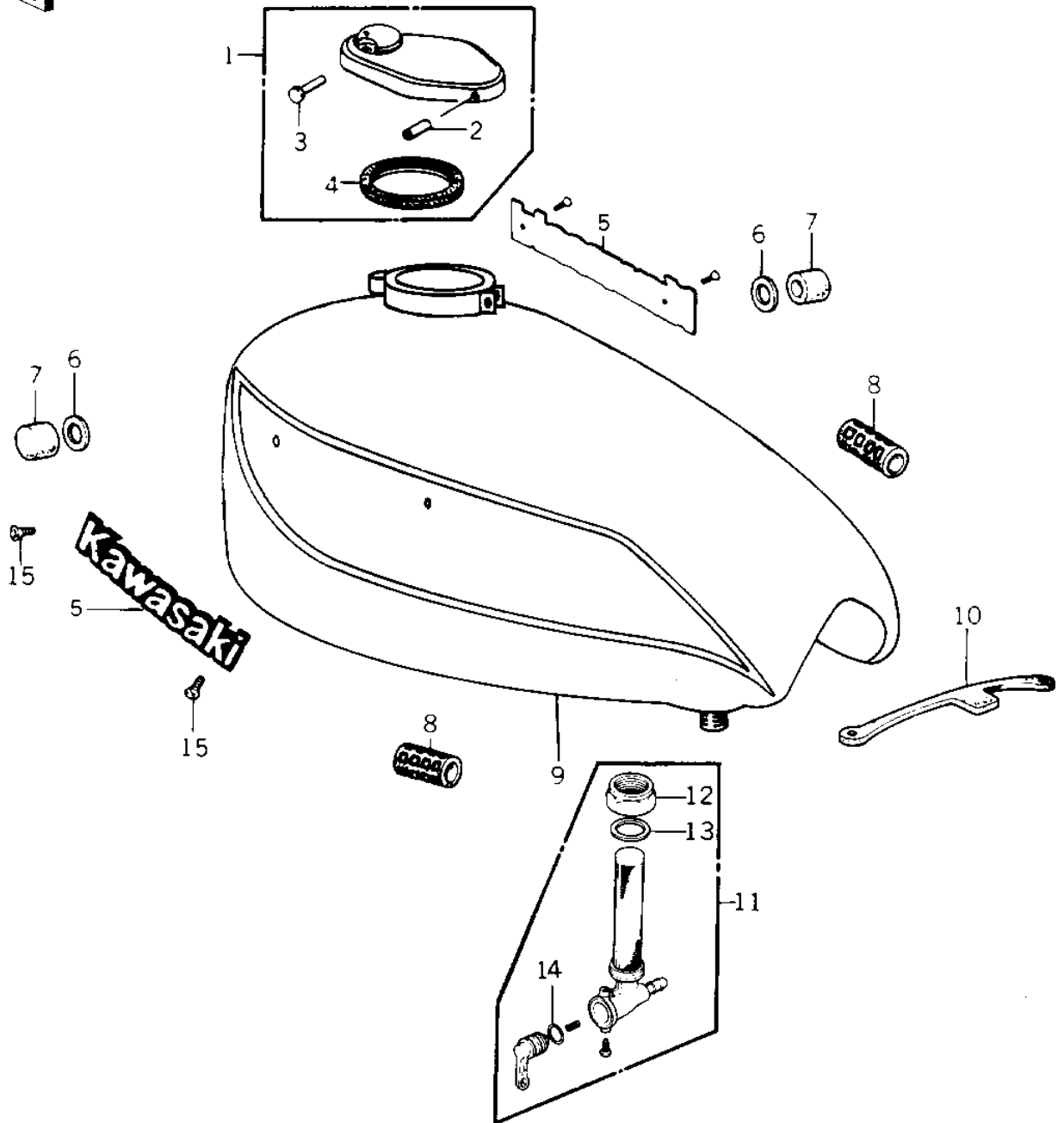


# 1980 Classic

## PARTS DIAGRAM

### FUEL TANK



# 1980 Classic

## PARTS LIST

### FUEL TANK

ITEM NAME	PART NUMBER	QUANTITY
CAP,FUEL TANK (Ref # 1)	51048-012	1
PIN,CAP HINGE (Ref # 2)	92043-127	1
PIN,HOOK (Ref # 3)	92043-126	1
GASKET-FUEL TANK CAP (Ref # 4)	51059-008	1
EMBLEM,FUEL TANK (Ref # 5)	56014-1038	2
WASHER-PL-10.5X26X2.3 (Ref # 6)	92022-044	2
DAMPER RUBBER,FL TANK (Ref # 7)	92075-125	2
DAMPER RUBBER (Ref # 8)	92075-084	2
TANK-FUEL,EBONY (Ref # 9)	51001-1038-8G	1
BAND,FUEL TANK (Ref # 10)	92072-042	1
TAP ASSY,FUEL (Ref # 11)	51023-1007	1
FUEL COCK JOINT NUT (Ref # 12)	51035-009	1
GASKET-FUEL COCK JNT. (Ref # 13)	92065-081	1
"O" RING, 10MM (Ref # 14)	670B2010	1
SCREW-CSK-CROS (Ref # 15)	221C0306	4