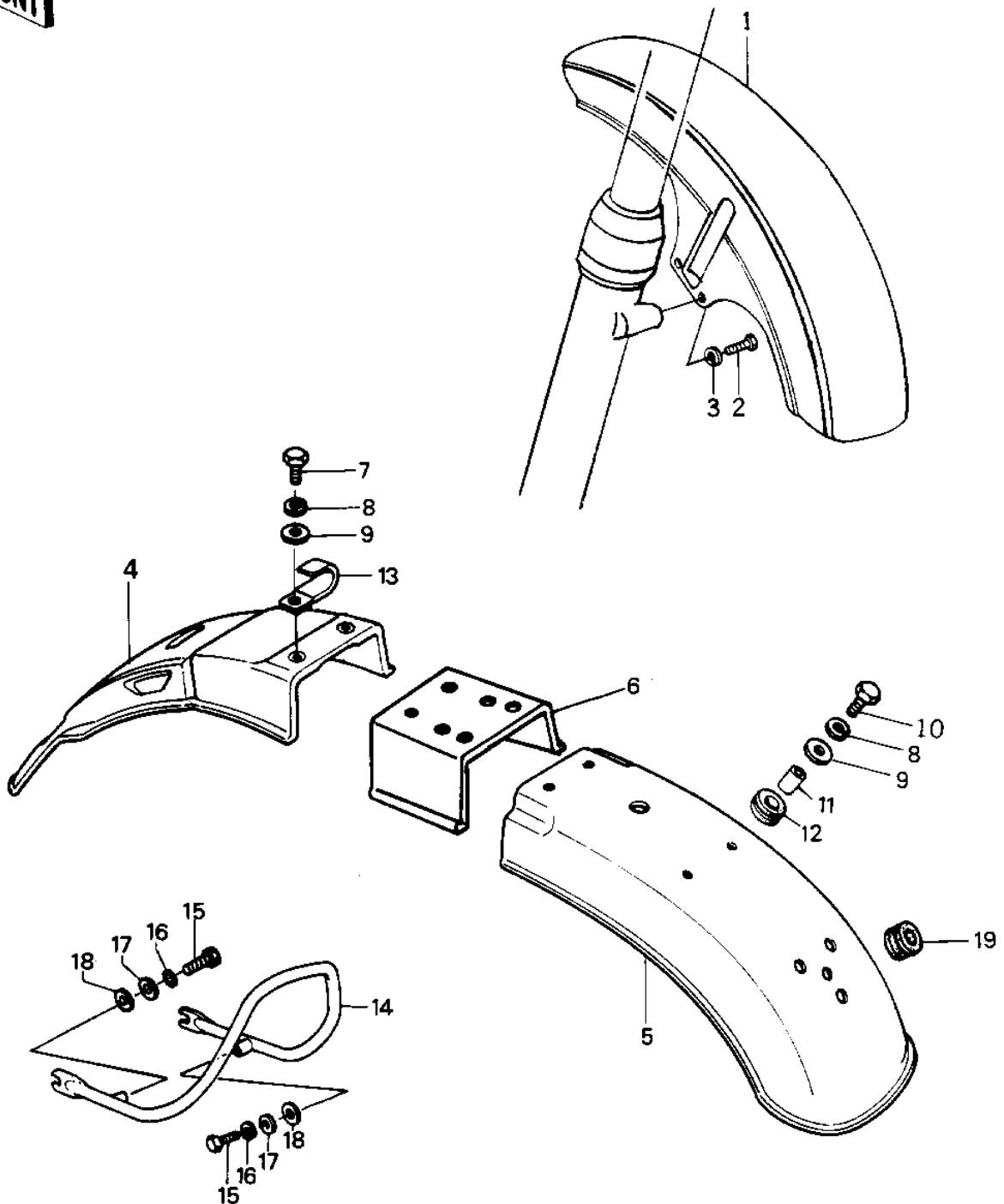


1980 Classic

PARTS DIAGRAM

FENDERS



1980 Classic

PARTS LIST

FENDERS

ITEM NAME	PART NUMBER	QUANTITY
FENDER-FR (Ref # 1)	35004-1047	1
BOLT-SMALL-UPSET,8X18 (Ref # 2)	115G0818	4
WASHER SPRING 8MM (Ref # 3)	461F0800	4
FENDER-RR (Ref # 4)	35022-154	1
FENDER-RR (Ref # 5)	35022-1060	1
FENDER-RR (Ref # 6)	35023-1026	1
BOLT-UPSET,6X16 (Ref # 7)	112G0616	6
WASHER SPRING 6MM (Ref # 8)	461F0600	8
WASHER PLAIN (Ref # 9)	411F0600	8
BOLT-UPSET (Ref # 10)	112G0625	2
COLLAR (Ref # 11)	92027-194	2
DAMPER RUBBER (Ref # 12)	92075-277	2
CLAMP,WIRING HARNESS (Ref # 13)	92037-1069	1
STAY,REAR FENDER (Ref # 14)	35011-1049	1
BOLT-UPSET,10X22 (Ref # 15)	112B1022	2
WASHER SPRING 10MM (Ref # 16)	461F1000	2
WASHER PLAIN 10MM (Ref # 17)	411B1000	2
WASHER-PL-10.5X26X2.3 (Ref # 18)	92022-044	2
GROMMET HARNESS 10MM (Ref # 19)	92071-019	1