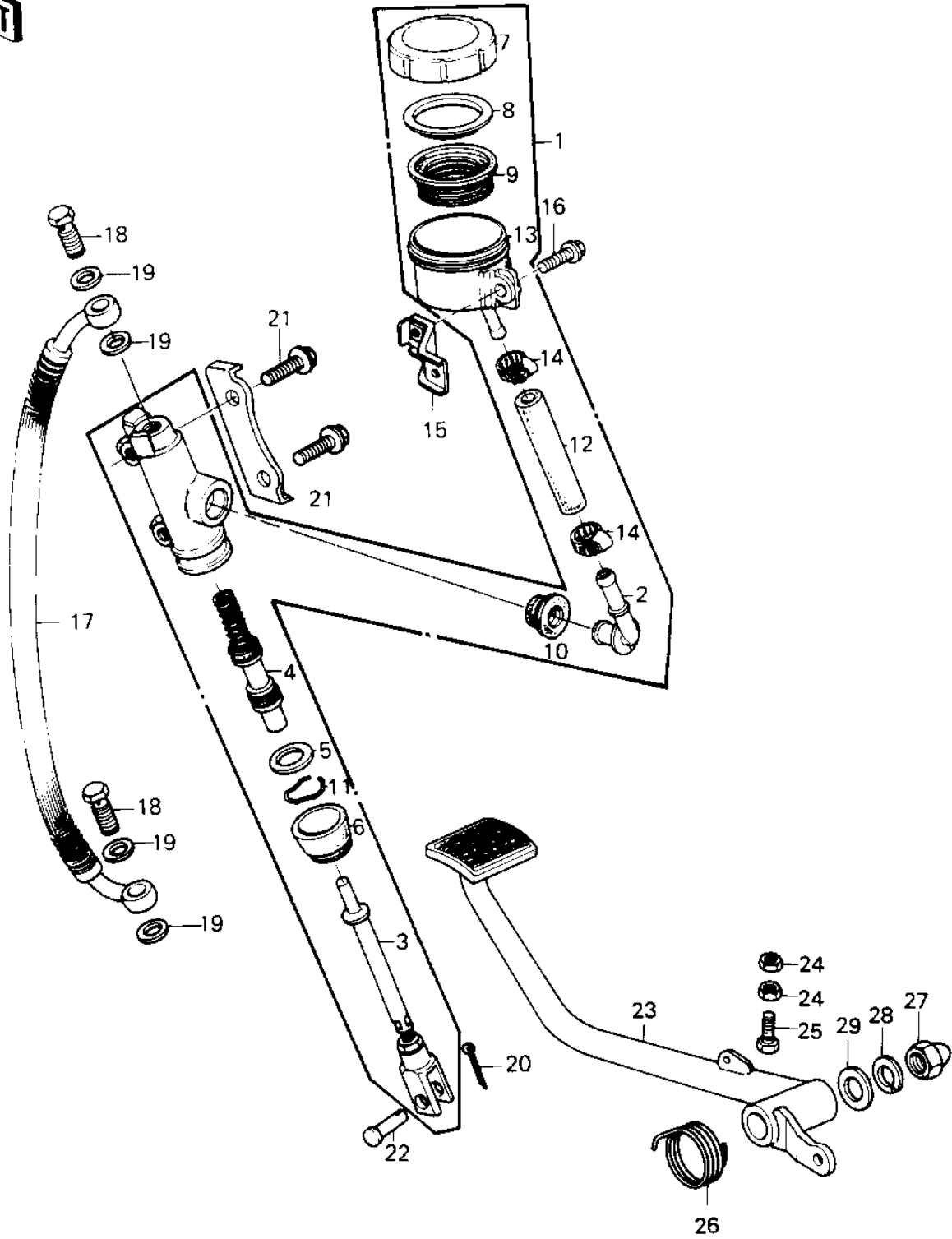


1980 Classic

PARTS DIAGRAM

REAR MASTER CYLINDER/BRAKE PEDAL



1980 Classic

PARTS LIST

REAR MASTER CYLINDER/BRAKE PEDAL

ITEM NAME	PART NUMBER	QUANTITY
CYLINDER ASSY,RR MAST (Ref # 1)	43015-1047	1
CONNECTOR (Ref # 2)	13159-1005	1
ROD ASSY,REAR BRAKE (Ref # 3)	43010-1003	1
PISTON ASSY,RR BRAKE (Ref # 4)	43020-1015	1
STOPPER,PISTON (Ref # 5)	43022-1002	1
DUST COVER (Ref # 6)	43024-003	1
CAP,OIL CUP (Ref # 7)	43026-1010	1
PLATE,DIAPHRAGM (Ref # 8)	43027-1005	1
DIAPHRAGM (Ref # 9)	43028-1016	1
PACKING (Ref # 10)	43049-1008	1
RING,DUST SEAL (Ref # 11)	43058-004	1
HOSE,BRAKE (Ref # 12)	43059-1044	1
RESERVOIR (Ref # 13)	43078-1008	1
CLAMP,BRAKE HOSE (Ref # 14)	92037-1154	2
BRACKET,RR M/CYLINDER (Ref # 15)	11034-1580	1
BOLT,FLANGED,6X20 (Ref # 16)	130B0620	1
HOSE, RR M/CYL BRAKE (Ref # 17)	43059-1046	1
BOLT,OIL,L=23 (Ref # 18)	92002-1888	2
WASHER-OIL BOLT (Ref # 19)	43067-001	4
PIN COTTER 2.0X15 (Ref # 20)	550D2015	1
BOLT,8X28 (Ref # 21)	92001-1095	2
PIN (Ref # 22)	92043-1013	1
PEDAL,BRAKE (Ref # 23)	43001-1040	1
NUT 6MM (Ref # 24)	311B0600	2
BOLT-UPSET,6X20 (Ref # 25)	112G0620	1
SPRING,BRAKE PEDAL (Ref # 26)	92081-1046	1
NUT,CAP AND LOCK,8MM (Ref # 27)	92019-013	1
WASHER SPRING 8MM (Ref # 28)	461F0800	1
WASHER,8.5X20X1.6 (Ref # 29)	92022-1561	1