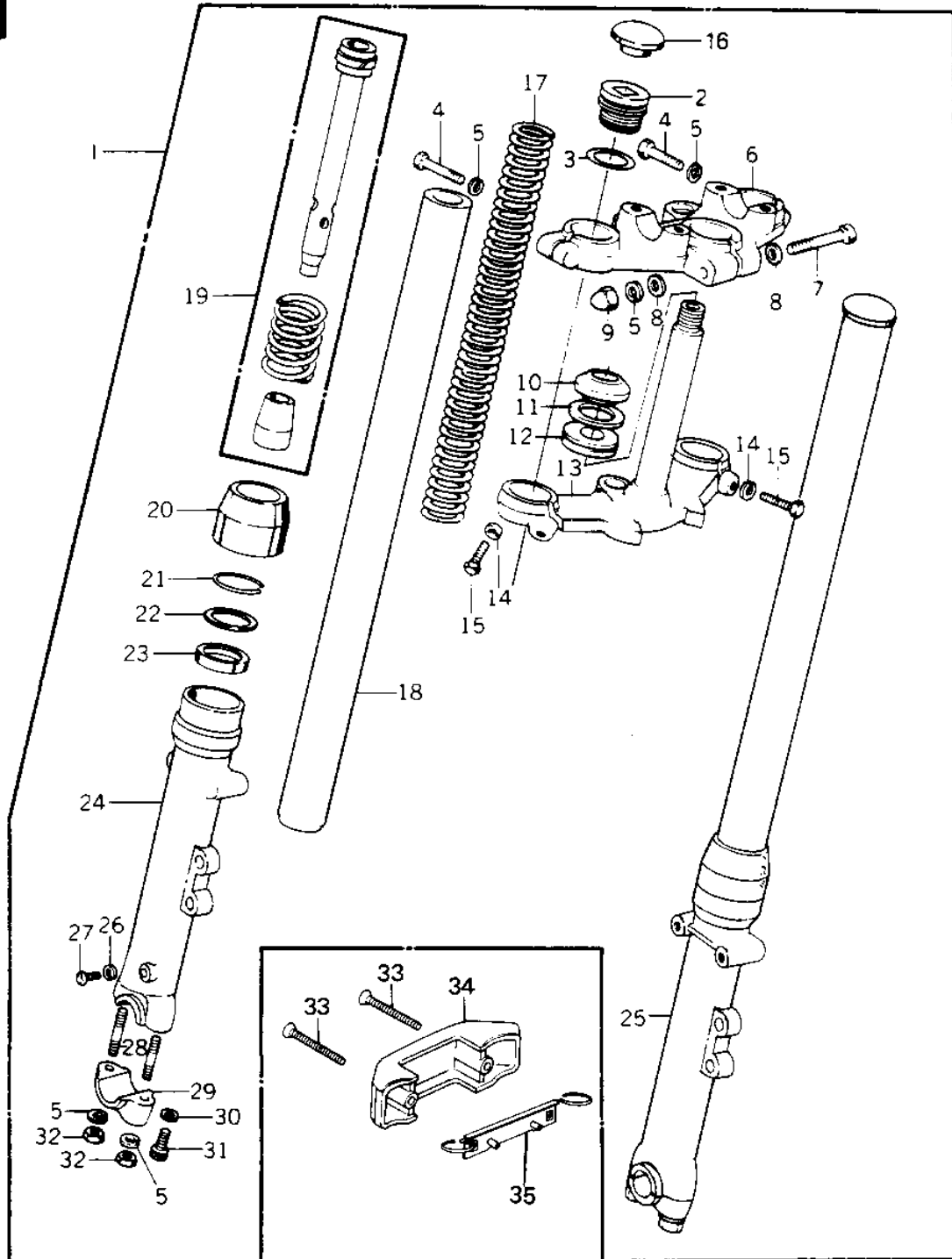


1980 Classic

PARTS DIAGRAM

FRONT FORK



1980 Classic

PARTS LIST

FRONT FORK

ITEM NAME	PART NUMBER	QUANTITY
FORK-FRONT (Ref # 1)	44001-1203	1
CAP,FORK SPRING (Ref # 2)	44029-1003	2
"O" RING,FORK TOP (Ref # 3)	92055-1009	2
BOLT-HEX HEAD.8M/M (Ref # 4)	44041-045	2
WASHER SPRING 8MM (Ref # 5)	461F0800	7
HEAD,STEERING (Ref # 6)	44039-073	1
BOLT-STEERING STEM HD (Ref # 7)	44041-042	1
WASHER PLAIN 8MM (Ref # 8)	410B0800	2
NUT FUEL TANK FRONT (Ref # 9)	92020-007	1
CONE,STEERING STEM (Ref # 10)	92047-012	1
WASHER,PLAIN (Ref # 11)	92022-231	1
OIL SEAL,STEERING STM (Ref # 12)	92056-003	1
STEM,STEERING (Ref # 13)	44037-1015	1
WASHER SPRING 12MM (Ref # 14)	461F1200	2
BOLT-HEX HEAD,12X36 (Ref # 15)	92003-064	2
CAP,RUBBER (Ref # 16)	11012-1017	2
SPRING,FORK (Ref # 17)	44026-1003	2
TUBE,FORK INNER (Ref # 18)	44013-1003	2
CYLINDER-FORK (Ref # 19)	44022-1011	2
DUST SHEILD,FORK (Ref # 20)	44010-032	2
RING-SNAP,FORK OIL (Ref # 21)	92033-1100	2
WASHER-OIL SEAL FIT (Ref # 22)	44043-044	2
SEAL-OIL,FORK OUTER P (Ref # 23)	92049-1216	2
TUBE,LH,FORK OUTER (Ref # 24)	44005-1031	1
TUBE,RH,FORK OUTER (Ref # 25)	44006-1031	1
GASKET FORK DRAIN PLG (Ref # 26)	44045-002	2
SCREW PAN HEAD 4X8 (Ref # 27)	220B0408	2
STUD,8X35 (Ref # 28)	92004-1009	2
HOLDER,FRONT AXLE (Ref # 29)	44063-014	2

1980 Classic

PARTS LIST

FRONT FORK

Kawasaki

Let the Good Times Roll®

ITEM NAME	PART NUMBER	QUANTITY
GASKET,FORK CYLINDER (Ref # 30)	44045-057	2
BOLT-FORK CYLINDER (Ref # 31)	44041-040	2
NUT,LOCK,8MM (Ref # 32)	92015-1124	4
SCREW-CSK-RD-CROS (Ref # 33)	222C0518	2
COVER,FORK (Ref # 34)	44033-1054	1
BRACKET,FORK COVER (Ref # 35)	11034-1766	1