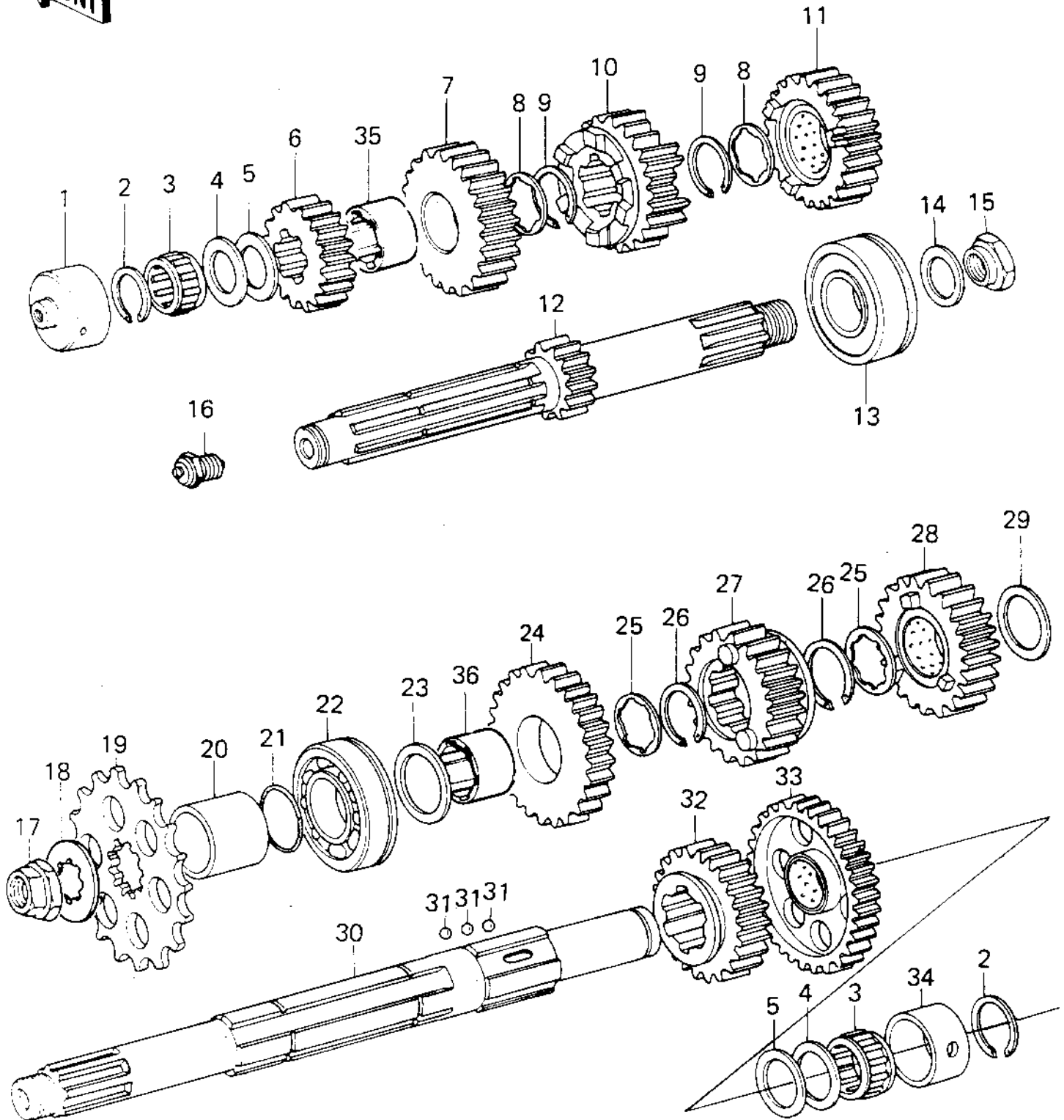


1980 Classic

PARTS DIAGRAM

TRANSMISSION



1980 Classic

PARTS LIST TRANSMISSION

ITEM NAME	PART NUMBER	QUANTITY
BUSH,DRIVE SHAFT (Ref # 1)	92028-122	1
CIRCLIP,25MM (Ref # 2)	92033-025	2
BEARING,PK223013.8 (Ref # 3)	92046-031	2
WASHER,PLAIN,22MM (Ref # 4)	92022-212	2
WASHER,PLAIN,22MM (Ref # 4)	92022-213	2
SPACER (I.D=22 O.D=35 (Ref # 5)	92026-1020	2
2ND GER,DRIVE SHAFT (Ref # 6)	13130-032	1
TOP GEAR,DRIVE SHAFT (Ref # 7)	13136-042	1
WASHER,LOCK (O.D=35) (Ref # 8)	92022-1077	2
CIRCLIP 28MM (Ref # 9)	480J2800	2
3RD GEAR,DRIVE SHAFT (Ref # 10)	13132-030	1
4TH GEAR,DRIVE SHAFT (Ref # 11)	13134-016	1
SHAFT,DRIVE 12T (Ref # 12)	13127-042	1
BEARING,BALL,5305NSH2 (Ref # 13)	92045-1028	1
BEARING,BALL,5305NSH2 (Ref # 13)	92045-1028	1
WASHER (Ref # 14)	92125-002	1
NUT,20MM (Ref # 15)	92015-1555	1
SWITCH,NEUTRAL (Ref # 16)	13151-5003	1
NUT,20MM (Ref # 17)	92015-1254	1
WASHER (Ref # 18)	92200-1065	1
ENGINE SPROCKET 15T (Ref # 19)	13144-062	1
COLLAR,ENG SPROCKET (Ref # 20)	92027-288	1
"O" RING (Ref # 21)	92055-035	1
BEARING,BL305 256217 (Ref # 22)	92045-021	1
WASHER,PLAIN,25MM (Ref # 23)	92022-210	1
2ND GEAR,OUTPUT SHAFT (Ref # 24)	13131-038	1
WASHER,LOCK(O.D=40) (Ref # 25)	92022-1078	2
CIRCLIP,30MM (Ref # 26)	480J3000	2
TOP GEAR,OUTPUT SHAFT (Ref # 27)	13129-1214	1

1980 Classic

PARTS LIST TRANSMISSION

ITEM NAME	PART NUMBER	QUANTITY
3RD GEAR,OUTPUT SHAFT (Ref # 28)	13133-031	1
WASHER,PLAIN,30MM (Ref # 29)	92022-209	1
SHAFT,OUT PUT (Ref # 30)	13128-1013	1
BALL STEEL 3/16' (Ref # 31)	600A0600	3
4TH GEAR,OUTPUT SHAFT (Ref # 32)	13135-020	1
LOW GER,OUTPUT SHAFT (Ref # 33)	13129-046	1
BUSH,OUTPUT SHAFT (Ref # 34)	92028-123	1
BUSHING,TOP GEAR (Ref # 35)	92028-1124	1
BUSHING,2ND GEAR (Ref # 36)	92028-1005	1