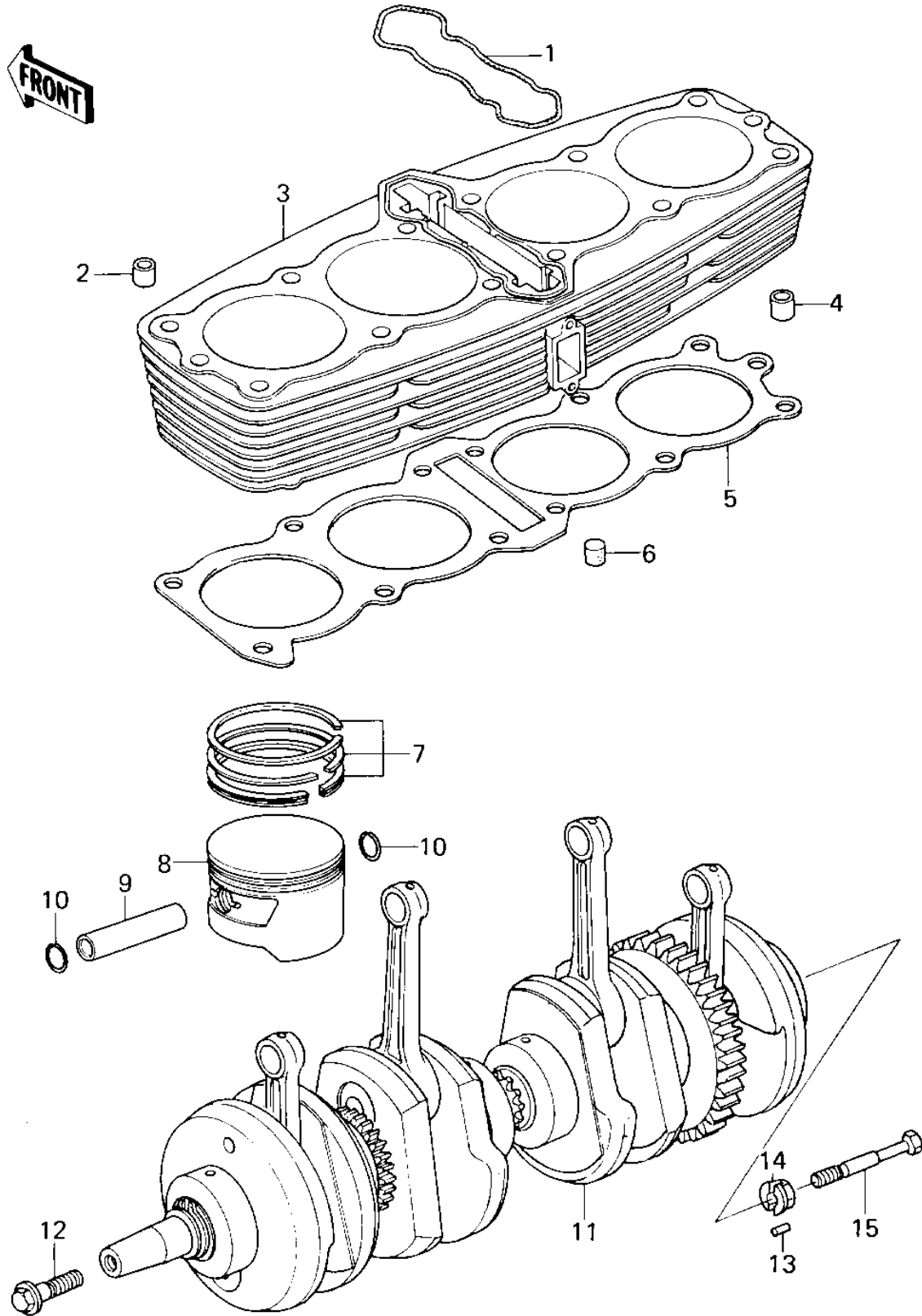


# 1980 Shaft

## PARTS DIAGRAM

### CYLINDER/PISTONS/CRANKSHAFT



# 1980 Shaft

## PARTS LIST

### CYLINDER/PISTONS/CRANKSHAFT

**ITEM NAME**

**PART NUMBER**

**QUANTITY**

---