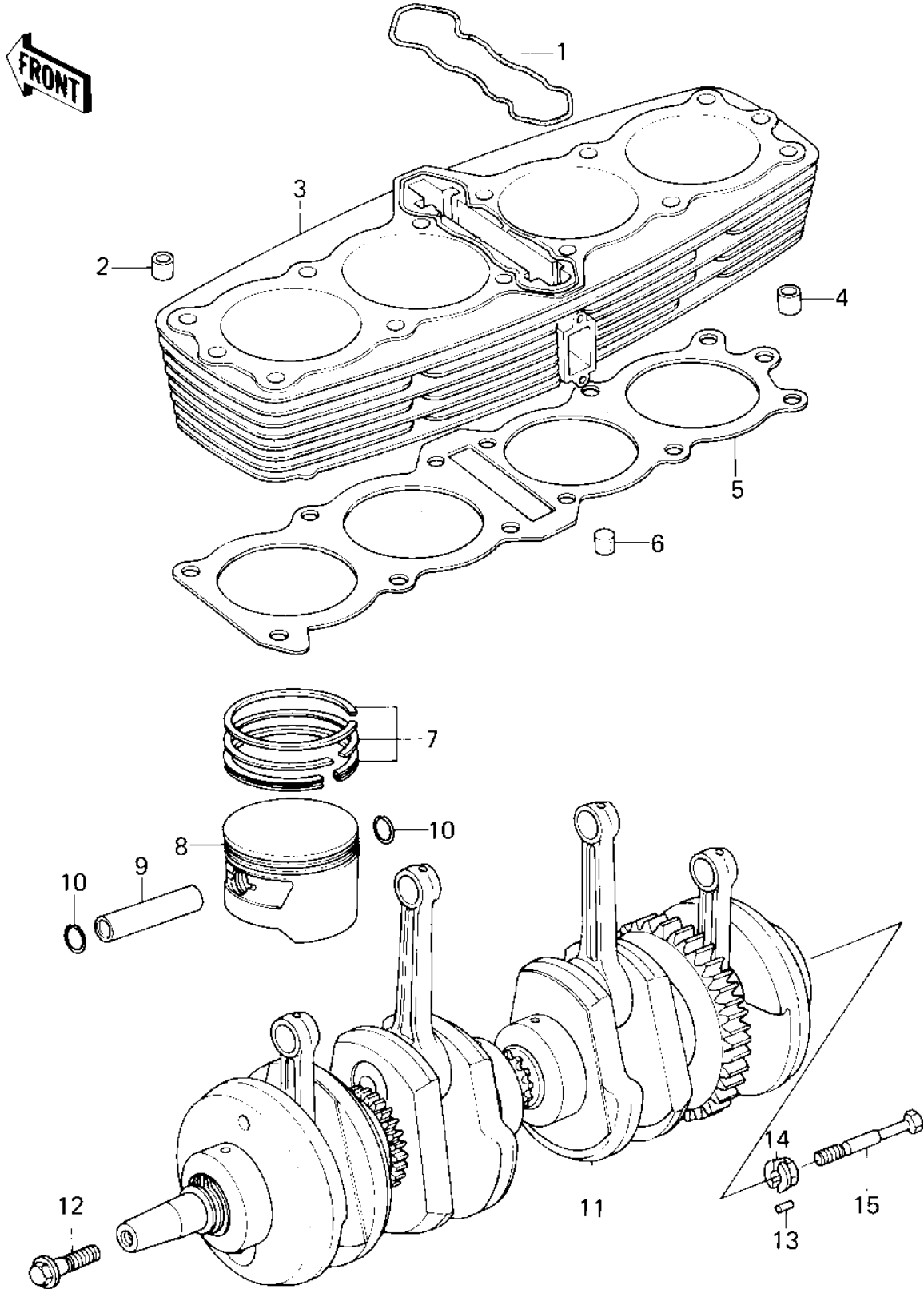


# 1980 Z1R

## PARTS DIAGRAM

### CYLINDERS/PISTONS/CRANKSHAFT ('80 D3)



# 1980 Z1R

## PARTS LIST

### CYLINDERS/PISTONS/CRANKSHAFT ('80 D3)

ITEM NAME	PART NUMBER	QUANTITY
GASKET,CYLINDER RUBE (Ref # 1)	92055-062	1
PIN,DOWEL,10X8.2X14 (Ref # 2)	92043-1037	2
CYLINDER,FLAT BLACK (Ref # 3)	11005-1009-21	1
PIN,11X14X12.3 (Ref # 4)	92043-1266	2
GASKET,CYLINDER BASE (Ref # 5)	11009-030	1
RUBBER PLUG,CYLINDER (Ref # 6)	92074-030	1
RING SET,STD (Ref # 7)	13008-5012	4
RING SET,0.020"O/S (Ref # 7)	13025-5007	4
RING SET,0.040"O/S (Ref # 7)	13024-5008	4
PISTON,S.T.D (Ref # 8)	13001-1005	4
PISTON,0.020 O/S (Ref # 8)	13029-1003	4
PISTON,0.040 O/S (Ref # 8)	13027-1005	4
PIN-PISTON (Ref # 9)	13002-022	4
CIRCLIP,PISTON PIN (Ref # 10)	92036-021	8
CRANKSHAFT ASSY (Ref # 11)	13031-1040	1
BOLT,12X40 (Ref # 12)	92001-1146	1
PIN-SPRING,4X8 (Ref # 13)	555A0408	1
WASHER,SPARK ADVANCE (Ref # 14)	92022-244	1
BOLT,SPARK ADVANCER (Ref # 15)	92001-113	1