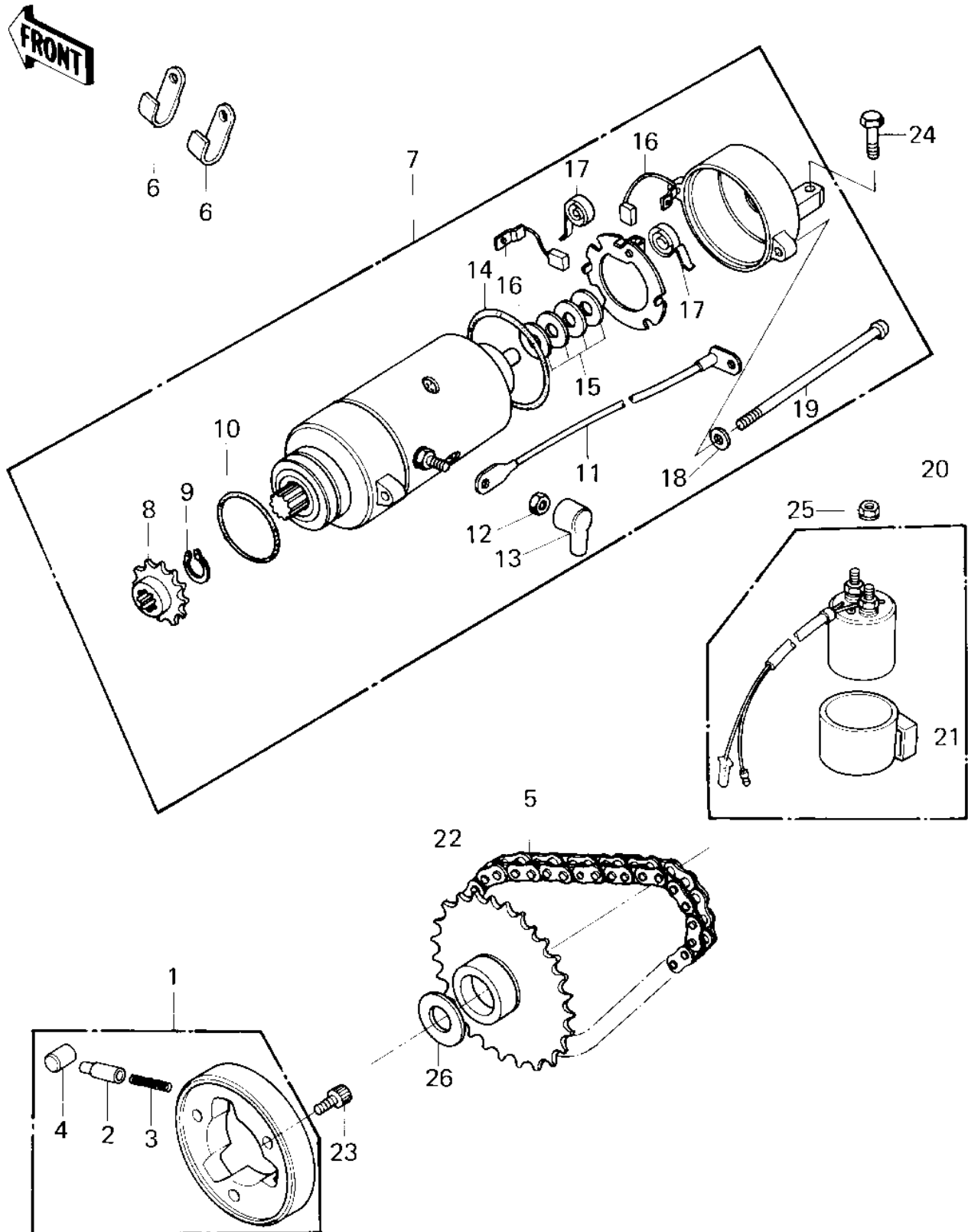


# 1980 LTD II

## PARTS DIAGRAM

### STARTER MOTOR/STARTER CLUTCH



# 1980 LTD II

## PARTS LIST

### STARTER MOTOR/STARTER CLUTCH

**ITEM NAME**

**PART NUMBER**

**QUANTITY**

---