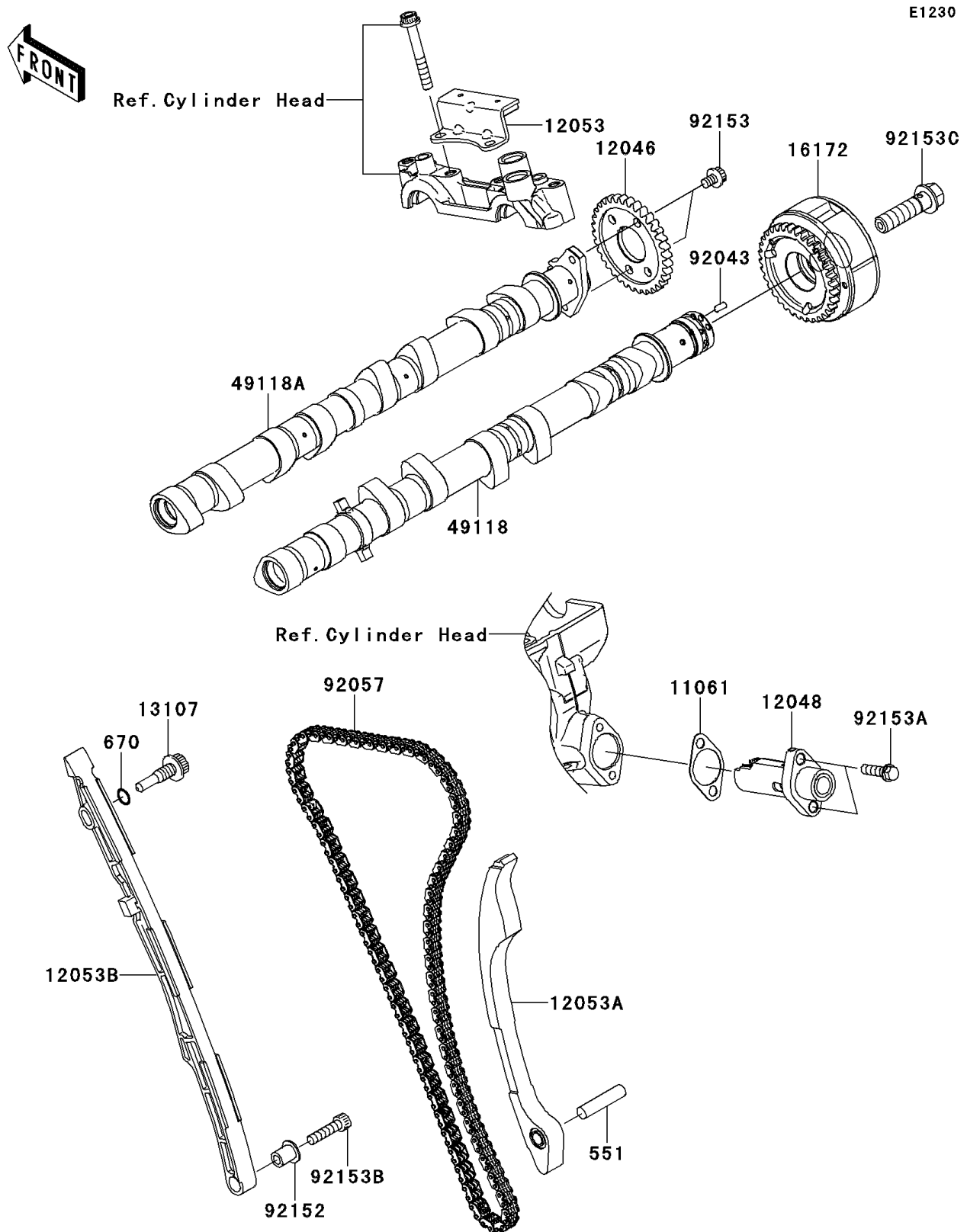


# 2008 Concours™ 14

## PARTS DIAGRAM

### Camshaft(s)/Tensioner



# 2008 Concours™ 14

## PARTS LIST

### Camshaft(s)/Tensioner

**ITEM NAME**

**PART NUMBER**

**QUANTITY**

---