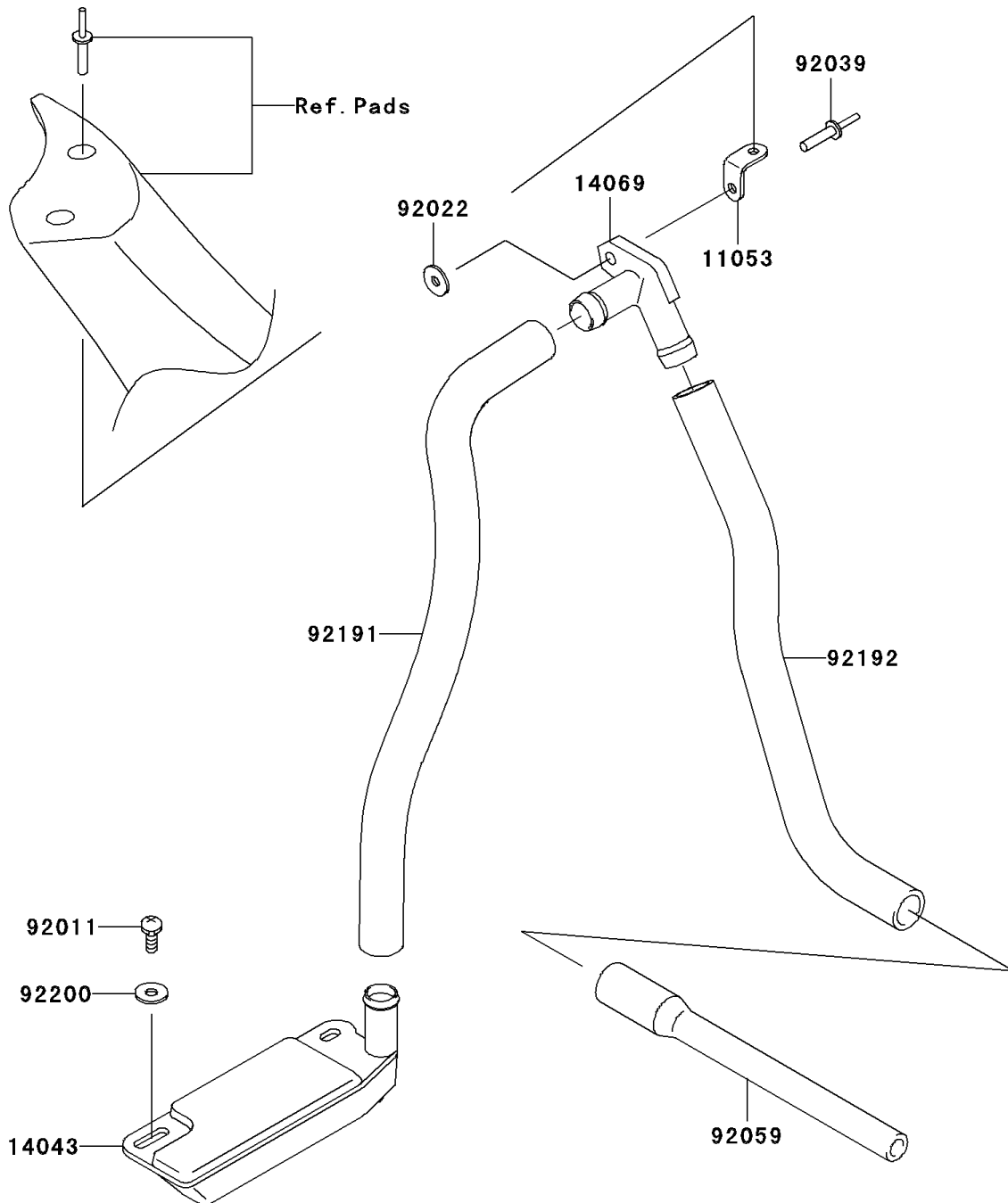


# 2010 Jet Ski® 800 SX-R

## PARTS DIAGRAM

### Bilge System

F3145



# 2010 Jet Ski® 800 SX-R

## PARTS LIST

### Bilge System

**ITEM NAME**

**PART NUMBER**

**QUANTITY**

---