

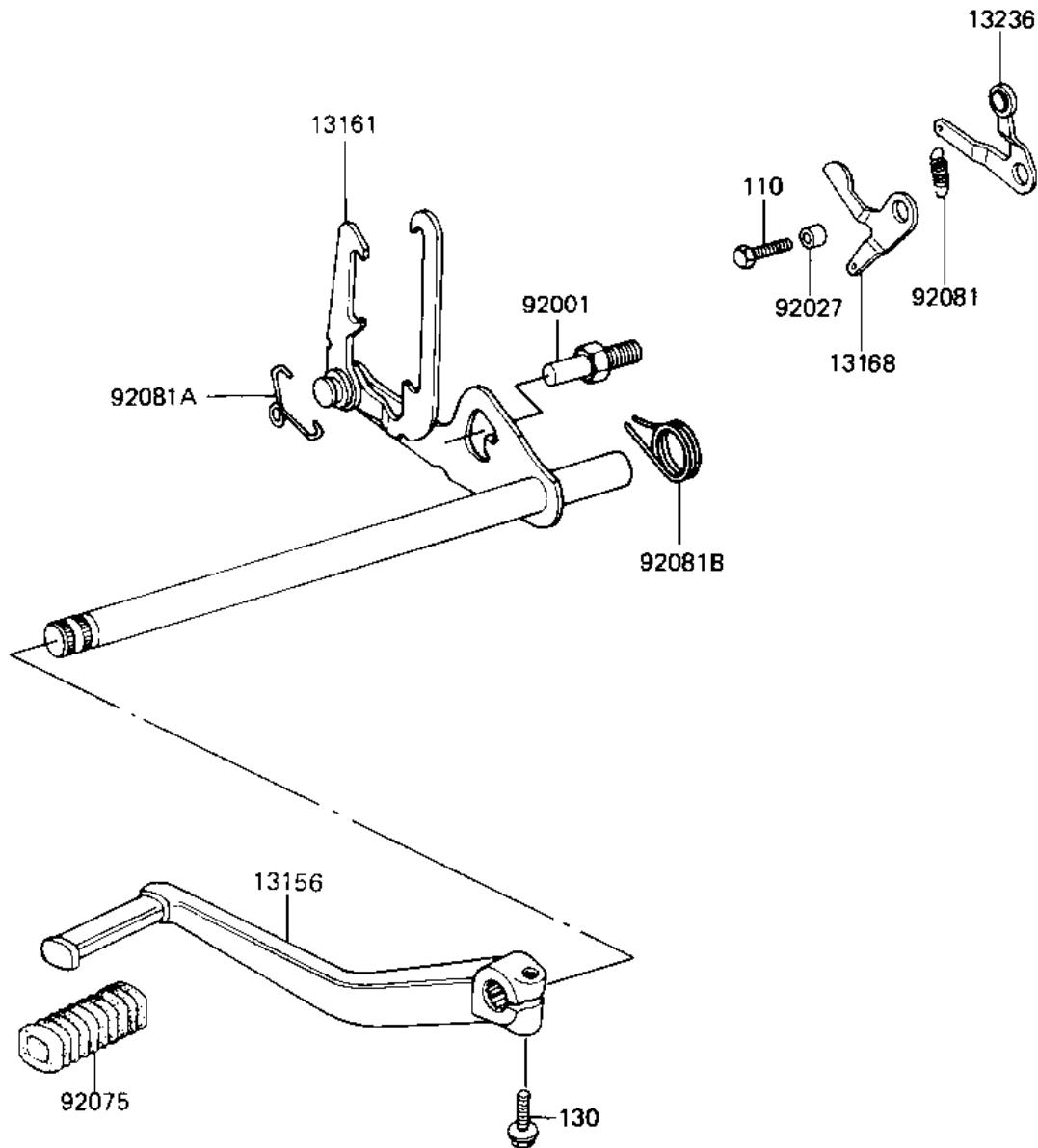
1983 Shaft

PARTS DIAGRAM

GEAR CHANGE MECHANISM



E1370-0017



1983 Shaft

PARTS LIST

GEAR CHANGE MECHANISM

Kawasaki

Let the Good Times Roll®

ITEM NAME

PART NUMBER

QUANTITY
