

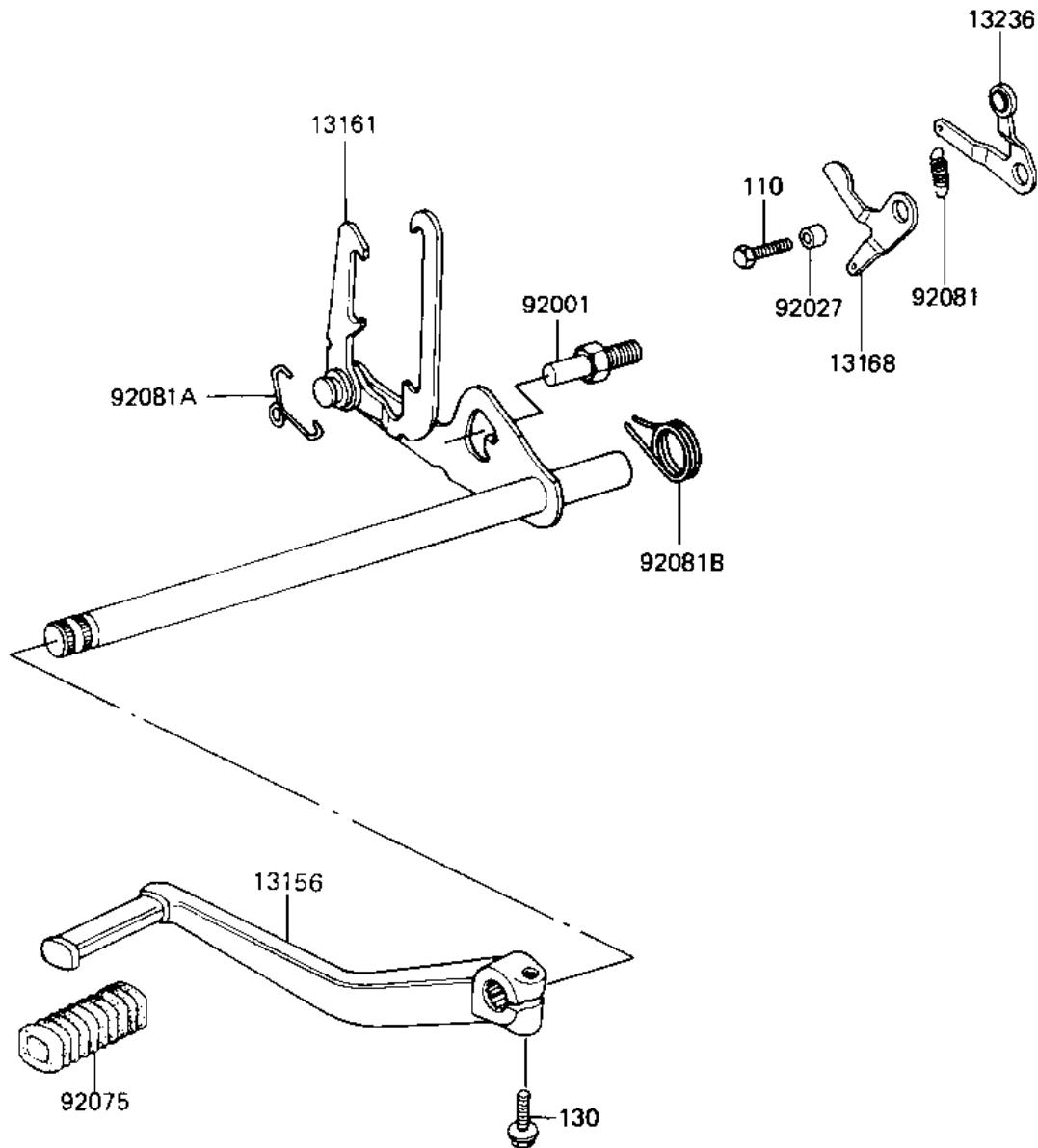
# 1981 Shaft

## PARTS DIAGRAM

### GEAR CHANGE MECHANISM



E1370-0017



# 1981 Shaft

## PARTS LIST

### GEAR CHANGE MECHANISM

**Kawasaki**

Let the Good Times Roll®

**ITEM NAME**

**PART NUMBER**

**QUANTITY**

---