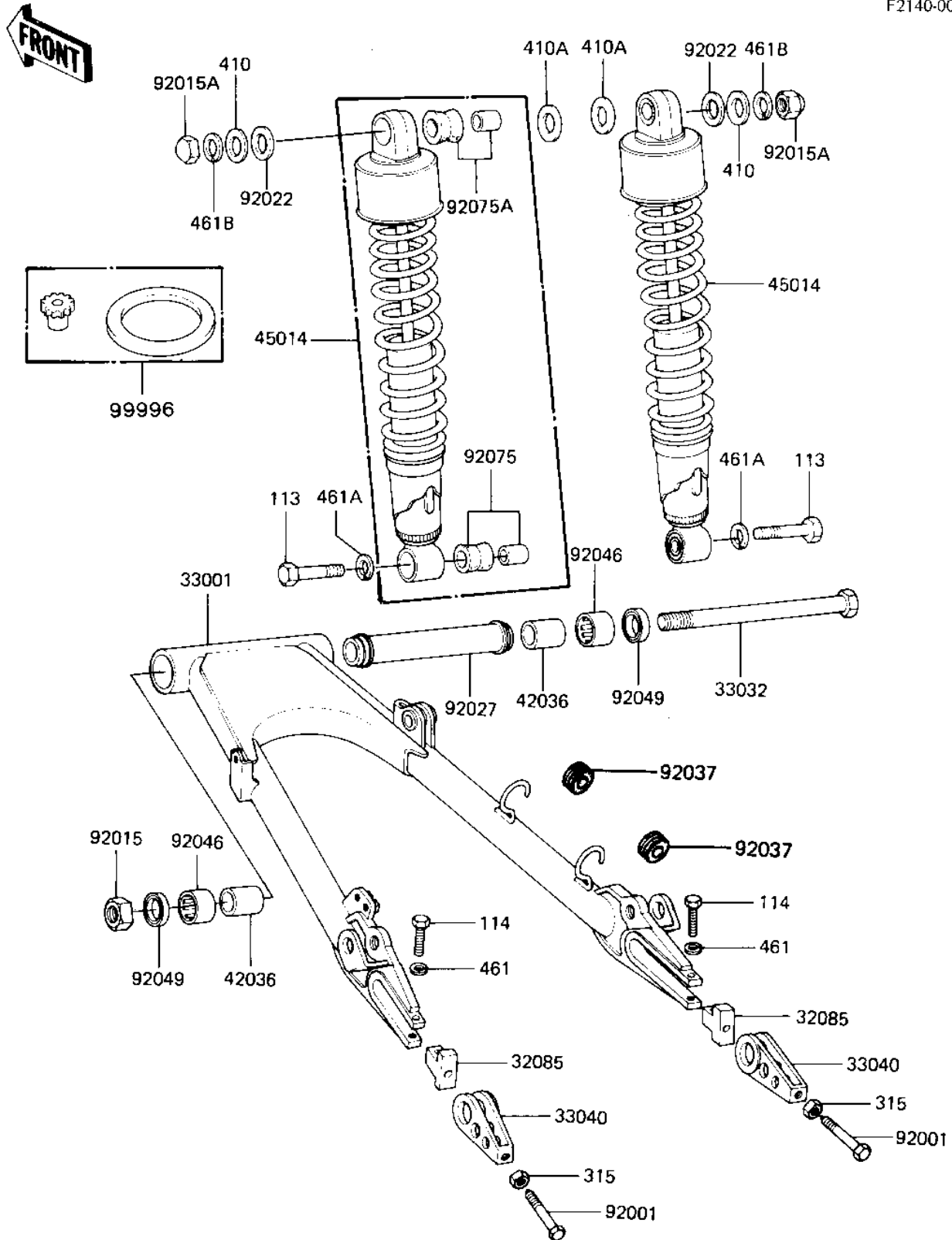


# 1981 LTD

## PARTS DIAGRAM

### SWING ARM/SHOCK ABSORBERS

F2140-0056



# 1981 LTD

## PARTS LIST

### SWING ARM/SHOCK ABSORBERS

**ITEM NAME**

**PART NUMBER**

**QUANTITY**

---