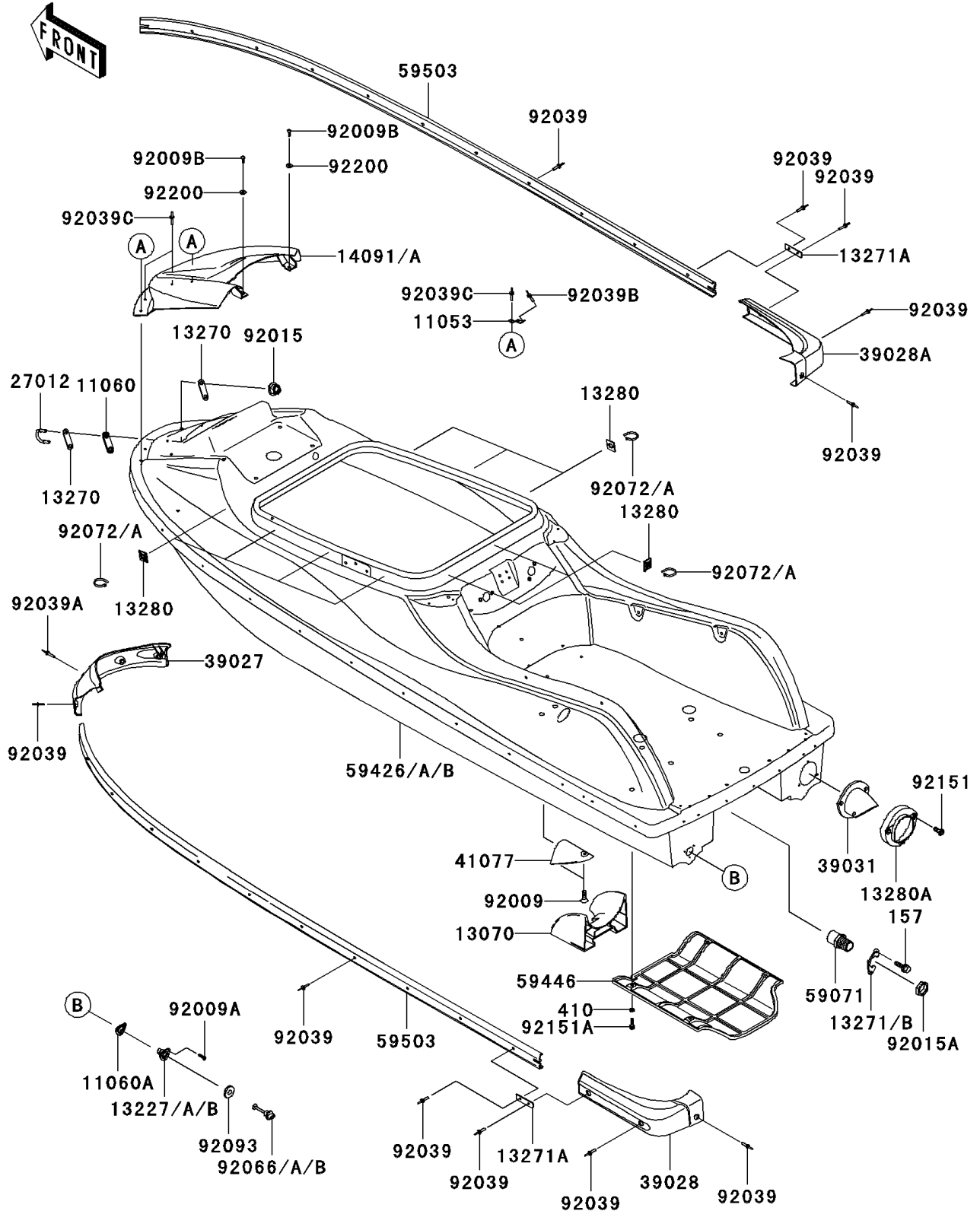


# 2005 800 SX-R

## PARTS DIAGRAM

### Hull

F3141



# 2005 800 SX-R

## PARTS LIST

Hull

**ITEM NAME**

**PART NUMBER**

**QUANTITY**

---